

ICM 1253 Iceman

English

Deutsch

Čeština

Hrvatski

Bosanski

Magyar

Polski

Română

Slovenčina

Slovenščina

Srpski

Crnogorski

Ελληνικά

Українська мова

ICE MAKER
INSTRUCTION MANUAL

EISWÜRWELBEREITER
BEDIENUNGSANLEITUNG

VÝROBNÍK LEDU
NÁVOD K OBSLUZE

LEDOMAT
UPUTE ZA UPORABU

JÉGKOCKA KÉSZÍTŐ
HASZNÁLATI ÚTMUTATÓ

WYTWORNICA LODU
INSTRUKCJA OBSŁUGI

APARAT DE GHEATĂ
INSTRUCȚIUNI DE UTILIZARE

VÝROBNÍK ĽADU
NÁVOD NA OBSLUHU

LEDOMAT
NAVODILA

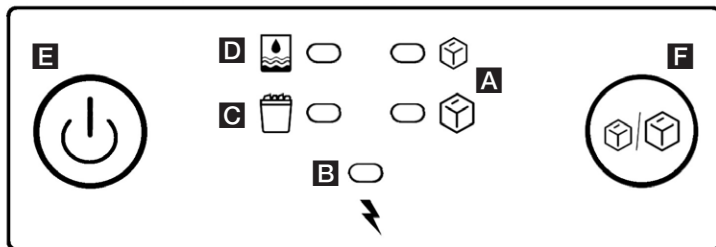
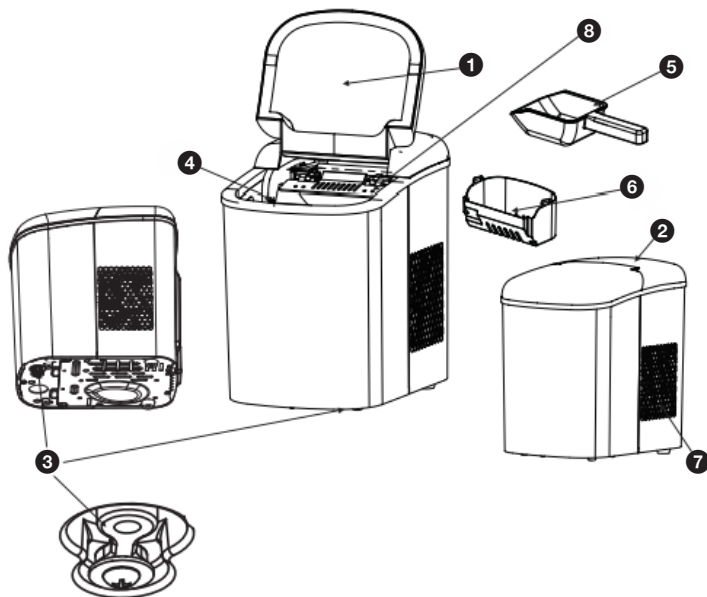
LEDOMAT
UPUTSTVO ZA UPOTREBU

ΠΑΓΟΜΗΧΑΝΗ
ΕΓΧΕΙΡΙΔΙΟ ΟΔΗΓΙΩΝ

ПРИЛАД ДЛЯ ПРИГОТУВАННЯ ЛЬОДУ
ІНСТРУКЦІЯ З ЕКСПЛУАТАЦІЇ

■ Always read the safety&use instructions carefully before using your appliance for the first time. The user's manual must be always included. ■ Bitte lesen Sie vor der Inbetriebnahme des Produktes diese Anleitung und die darin enthaltenen Sicherheitshinweise aufmerksam durch. Die Bedienungsanleitung muss dem Gerät immer beigelegt sein. ■ Před uvedením výrobku do provozu si důkladně pročtěte tento návod a bezpečnostní pokyny, které jsou v tomto návodu obsaženy. Návod musí být vždy přiložen k přístroji. ■ Uvijek pročítajte sigurnosne upute i upute za uporabu prije prvog korištenja vašeg uređaja. Upute moraju uvijek biti priložene. ■ A termék használatba vétele előtt figyelmesen olvassa el ezt a használati útmutatót és az útmutatóban található biztonsági rendelkezéseket. A használati útmutatót tartsa a készülék közelében. ■ Przed pierwszym użyciem urządzenia prosimy o uważne zapoznanie się z instrukcjami dotyczącymi bezpieczeństwa i użytkowania. Instrukcja obsługi musi być zawsze dołączona. ■ Cititi întotdeauna instrucțiunile de siguranță și utilizare cu atenție înainte de a utiliza aparatul pentru prima dată. Manualul utilizatorului trebuie să fie întotdeauna inclus. ■ Pred uvedením výrobku do prevádzky si dôkladne prečítajte tento návod a bezpečnostné pokyny, ktoré sú v tomto návode obsiahnuté. Návod musí byť vždy priložený k prístroju. ■ Pred vklopom izdelka temeljito preberite ta navodila in varnostne napotke, ki so navedeni v teh navodilih. Navodila morajo biti vedno priložena k napravi. ■ Uvek pažljivo pročítajte uputstva za sigurnost i upotrebu pre upotrebe uređaja po prvi put. Korisničko uputstvo mora uvek biti priloženo. ■ Πριν χρησιμοποιήσετε τη συσκευή σας για πρώτη φορά, διαβάστε προσεκτικά τις οδηγίες ασφαλείας και χρήσης. Το εγχειρίδιο χρήσης πρέπει να περιλαμβάνεται πάντα στη συσκευασία. ■ Завжди уважно читайте інструкції з техніки безпеки та використання перед першим використанням пристрою. Посібник користувача повинен бути завжди включений.

DESCRIPTION / BESCHREIBUNG / POPIS / OPIS / A KÉSZÜLÉK RÉSZEI / OPIS / DESCRIERE / POPIS / OPIS / OPIS / ΠΕΡΙΓΡΑΦΗ / ΟΠΙΣ



English

Appliance body

1. Top lid with a window
2. Control panel
3. Drain opening
4. Ice container full sensor
5. Ice scoop
6. Ice cube basket
7. Air outlet
8. Ice cube turning mechanism

Control panel

- A. Ice cube size indicator
- B. Power indicator
- C. Ice container full indicator
- D. Add water indicator
- E. Main switch
- F. Button for setting the size of ice cubes

Deutsch

Gerätekörper

1. Oberer Deckel mit Sichtglas
2. Bedienfeld
3. Auslassöffnung
4. Sensor für vollen Eismwürfelbehälter
5. Eisschaufel
6. Eismwürfelkorb
7. Luftausgang
8. Mechanismus zum Drehen von Eismwürfeln

Bedienfeld

- A. Anzeige der Eismwürfelgröße
- B. Ladeanzeige
- C. Anzeige für vollen Eismwürfelbehälter
- D. Anzeige für Wasserzugabe
- E. Hauptschalter

- F. Taste zum Einstellen der Eismwürfelgröße

Čeština

Tělo spotřebiče

1. Horní víko s průhledem
2. Ovládací panel
3. Vypouštěcí otvor
4. Senzor naplnění zásobníku ledu
5. Lopatka na led
6. Košík na kostky ledu
7. Výstup vzduchu
8. Mechanismus otáčení kostek ledu

Ovládací panel

- A. Indikátor velikosti kostek ledu
- B. Indikátor napájení
- C. Indikátor naplnění zásobníku ledu

- D. Indikátor přidání vody
- E. Hlavní vypínač
- F. Tlačítko pro nastavení velikosti kostek ledu

Hrvatski/Bosanski

Tijelo uređaja

- 1. Gornji prozirni poklopac
- 2. Upravljačka ploča
- 3. Otvor za odvod
- 4. Senzor punjenja spremnika za led
- 5. Lopatica za led
- 6. Košara s kockama leda
- 7. Izlaz zraka
- 8. Mehanizam rotacije kockica leda

Upravljačka ploča

- A. Indikator veličine kocke leda
- B. Indikator napajanja
- C. Indikator punjenja spremnika za led
- D. Indikator dodavanja vode
- E. Glavni prekidač
- F. Gumb za podešavanje veličine kockica leda

Magyar

Készülékhez

- 1. Fedél kémlelő ablakkal
- 2. Működtető panel
- 3. Leeresztő nyílás
- 4. Megtelt jégartály szenzor
- 5. Jéglapát
- 6. Jégkocka kosár
- 7. Szellőzőnyílás
- 8. Jégkocka forgató mechanizmus

Működtető panel

- A. Jégkocka méret kijelző
- B. Tápellátás kijelző
- C. Megtelt jégartály kijelző
- D. Vízbetöltés kijelző
- E. Főkapcsoló
- F. Jégkocka méret beállító kapcsoló

Polski

Korpus urządzenia

- 1. Górna pokrywa z wzornikiem
- 2. Panel sterowania
- 3. Otwór odpływowy
- 4. Czujnik napełnienia pojemnika na lód
- 5. Łopata do lodu
- 6. Koszyk na kostki lodu
- 7. Wylot powietrza
- 8. Mechanizm obracania kostek lodu

Panel sterowania

- A. Wskaźnik wielkości kostek lodu
- B. Wskaźnik zasilania
- C. Wskaźnik napełnienia pojemnika na kostki lodu
- D. Wskaźnik dodawania wody
- E. Wylącznik główny
- F. Przycisk regulacji wielkości kostek lodu

Română

Corpul aparatului

- 1. Capac superior cu fereastră
- 2. Panou de control
- 3. Deschidere pentru scurgere
- 4. Senzor de recipient pentru gheață plin
- 5. Cupă pentru gheață
- 6. Tavă pentru cuburile de gheață
- 7. Evacuare aer
- 8. Mecanism pentru răsturnarea cuburilor de gheață

Panou de control

- A. Indicator pentru mărimea cuburilor de gheață
- B. Indicator de alimentare
- C. Indicator de recipient pentru gheață plin
- D. Indicator pentru adăugare de apă
- E. Comutator principal
- F. Buton pentru setarea mărimei cuburilor de gheață

Slovenčina

Telo spotrebiča

- 1. Horné veko s prizorom
- 2. Ovládaci panel
- 3. Vypúšťací otvor
- 4. Senzor naplnenia zásobníka ľadu
- 5. Lopatka na ľad
- 6. Košík na kocky ľadu
- 7. Výstup vzduchu
- 8. Mechanizmus otáčania kociek ľadu

Ovládaci panel

- A. Indikátor veľkosti kociek ľadu
- B. Indikátor napájania
- C. Indikátor naplnenia zásobníka ľadu
- D. Indikátor prídania vody
- E. Hlavný vypínač
- F. Tlačidlo na nastavenie veľkosti kociek ľadu

Slovenščina

Trup aparata

- 1. Zgornji pokrov z okencem
- 2. Upravljalna plošča
- 3. Izpustna odprtina
- 4. Senzor polnosti posode za led
- 5. Lopatica za led
- 6. Košarica za ledene kocke
- 7. Izhod zraka
- 8. Mehanizem za vrtenje ledenih kock

Upravljalna plošča

- A. Kazalec velikosti ledenih kock
- B. Kazalec el. napajanja
- C. Kazalec polnosti posode za led
- D. Kazalec dodajanja vode
- E. Glavno stikalo
- F. Tipka za nastavitev velikosti ledenih kock

Srpski/Crnogorski

Telo uređaja

- 1. Gornji prozirni poklopac
- 2. Upravljačka ploča
- 3. Otvor za odvod
- 4. Senzor punjenja rezervoara za led
- 5. Lopatica za led
- 6. Košara sa kockama leda
- 7. Izlaz vazduha
- 8. Mehanizam rotacije kockica leda

Upravljačka ploča

- A. Indikator veličine kocke leda
- B. Indikator napajanja
- C. Indikator punjenja rezervoara za led
- D. Indikator dodavanja vode
- E. Glavni prekidač
- F. Gumb za podešavanje veličine kockica leda

Ελληνικά

Σώμα συσκευής

- 1. Επάνω καπάκι με παράθυρο
- 2. Πίνακας ελέγχου
- 3. Άνοιγμα αποστράγγισης
- 4. Αισθητήρας πληρότητας δοχείου πάγου
- 5. Φτυαράκι πάγου
- 6. Καλάθι παγοκύβων
- 7. Εξαγωγή αέρα
- 8. Μηχανισμός περιστροφής παγοκύβων

Πίνακας ελέγχου

- A. Ένδειξη μεγέθους παγοκύβων
- B. Ένδειξη λειτουργίας
- C. Ένδειξη πληρότητας δοχείου πάγου
- D. Ένδειξη προσθήκης νερού
- E. Κύριος διακόπτης
- F. Κομπλί για τη ρύθμιση του μεγέθους των παγοκύβων

Українська мова

Корпус побутового приладу

- 1. Верхня кришка з вікном
- 2. Панель управління
- 3. Зливний отвір
- 4. Датчик повного контейнеру для льоду
- 5. Ложка для льоду
- 6. Контейнер для кубиків льоду
- 7. Випуск повітря
- 8. Механізм перегортання кубиків льоду

Панель управління

- A. Індикатор розміру кубиків льоду
- B. Індикатор живлення
- C. Індикатор повного контейнеру для льоду
- D. Індикатор додавання води
- E. Основний вимикач
- F. Кнопка для налаштування розміру кубиків льоду

SAFETY INSTRUCTIONS

English

Read carefully and save for future use!

Warning: The safety measures and instructions, contained in this manual, do not include all conditions and situations possible. The user must understand that common sense, caution and care are factors that cannot be integrated into any product. Therefore, these factors shall be ensured by the user/s using and operating this appliance. We are not liable for damages caused during shipping, by incorrect use, voltage fluctuation or the modification or adjustment of any part of the appliance. Failure to follow the safety instructions may result in personal injury, property damage, fire, or electric shock.

To protect against a risk of fire or electric shock, basic precautions shall be taken while using electrical appliances, including the following:

1. Make sure the voltage in your outlet corresponds to the voltage provided on the appliance label and that the socket is correctly grounded. The outlet must be installed in accordance with applicable electrical codes according to EN.
2. Never use the appliance if the power cord is damaged, if the appliance is not working properly or if it is broken, dropped, or otherwise damaged. All repairs or adjustments including cord replacements must be carried out by a professional service centre! Do not remove the protective covers from the appliance; there is a risk of electric shock!
3. Protect the appliance from direct contact with water and other liquids to prevent injury by electric shock or fire. Do not immerse the appliance, the power cord or the plug in water!
4. To prevent damage to the cable, make sure that it does not come close to or touch the compressor of the appliance.
5. Do not use the appliance outdoors or in areas with high humidity. Do not expose the appliance to direct sunlight or place it near heating devices. Do not touch the power cord or the appliance with wet hands. Risk of electric shock.

6. The power cord plug must be easily accessible. Do not shorten the cable or use power strips or extension cords.
 7. The appliance must be plugged in separately. The cord shall not touch hot parts, lead over sharp edges, lie beneath the carpet or hang from the shelf or table.
 8. Do not turn the appliance on or off by plugging or unplugging the power cord.
 9. If the appliance emits an unusual odor or smoke, unplug it immediately and visit a service center with the appliance.
 10. Always place the appliance on a solid level surface. Never place it on a surface that could be damaged by water or moisture (e.g. wood, bamboo, lacquered surfaces, etc.).
 11. Do not place anything on the appliance and do not cover it. Do not leave the appliance near or in contact with flammable substances. There is a risk of fire. Leave a space of at least 22 cm above the appliance and 15 cm at the sides for proper air circulation. Do not operate the appliance inside kitchen cabinets or other furniture.
 12. The appliance is designed for making ice. Use it only in accordance with the instructions in this manual. The manufacturer is not liable for any damage caused by the improper use of this appliance.
 13. This appliance is intended for household use and similar areas, including:
 - kitchen corners in shops, offices and other workplaces;
 - appliances used by guests in hotels, motels and other residential establishments;
 - appliances used in bed&breakfast establishments;
 - appliances used in catering and similar non-marketable environments.
- WARNING:** This appliance is not intended for commercial use.
14. **WARNING:** Use only clean potable, non-sparkling water without additives that could damage the appliance. Do not switch on the appliance if there is no water in the container and at the same time do not overfill the container. The water level must be between the MIN and MAX lines.

15. **WARNING:** Allow the appliance to stand for at least 1 hour before the refrigerant settles before the first use; otherwise the compressor may be damaged.
16. Only operate and store the appliance in a horizontal position. DO NOT TIP IT OVER.
17. After transport or storage in cold conditions, the appliance must be allowed to acclimatize at room temperature for at least 3 hours.
18. The appliance may only be operated and stored in places with an ambient temperature between 10-38 °C.
19. Clean the appliance regularly and always switch it off and unplug it before cleaning.
20. Do not immerse the body of the appliance in water when cleaning. Do not use any aggressive or abrasive agents, as they could damage the appliance. **WARNING:** Do not use any volatile or flammable substances - risk of explosion.
21. **WARNING:** To speed up the defrosting of the product, do not use any mechanical tools not recommended by the manufacturer and do not pour hot water into the appliance.
22. Do not touch any moving parts of the appliance during operation.
23. Never tilt, move or attempt to empty the water tank while the appliance is in operation!
24. Pay closer attention when using the appliance near children.
25. This appliance should not be used by children. Keep the appliance and its power supply out of reach of children. The appliance may be used by persons with reduced physical, sensory or mental capacities or lack of experience and knowledge, if they are supervised or if they were instructed how to use the appliance safely and understand potential dangers. Children shall not play with the appliance.
26. Always switch off and unplug the appliance if:
 - the appliance does not work properly,
 - the appliance emits an unusual odor or smoke,
 - you are assembling the appliance;
 - you add water to the water tank and install it in its place in the appliance,

- before maintenance,
- you no longer use it.

27. **WARNING:** This product contains R600a refrigerant gas, which is highly flammable. It must be ensured that none of the parts of the cooling circuit are damaged. In case of damage prevent fire and thoroughly air the areas in which the device is located.



WARNING: BE CAREFUL, FIRE HAZARD!

Do not immerse in water!

DANGER TO CHILDREN: Children must not play with the packaging material. Do not let the children play with plastic bags. Risk of suffocation.

USING THE ICE MAKER

- Remove all outer and inside packaging. Make sure the ice basket and ice scoop are included. If any part or accessory is missing, contact a service center.
- Do not tilt the ice maker more than 45° during transport or use.
- Do not turn the ice maker upside down; otherwise the compressor or refrigeration system may malfunction.
- When moving or transporting the ice maker, wait until the liquids in the compressor have settled for at least 2 hours before connecting the appliance to power. This will reduce the possibility of cooling system failure due to improper handling.
- Do not cover or block the ventilation openings of the appliance.
- Open the top lid, remove the ice basket and pour drinking water (preferably purified or distilled) into the tank.

Warning: Do not add water above the MAX mark on the back of the water tank.

- If the ice maker is used for the first time or after a long period of non-use, discard the ice cubes produced during the first two cycles.
- To maintain effective performance, heat dissipation, efficiency and low energy consumption, it is necessary to have sufficient ventilation space around the ice maker.
- Plug the appliance into the socket. Power indicator (**B**) starts flashing.
- Press the main switch (**E**) on the control panel to start the ice production cycle. Power indicator (**B**) will be on.
- Press the **F** button to select the size of the ice cube. You can select from 2 sizes – small or large.
- If the ambient temperature is below 15 °C, we recommend choosing a smaller size to prevent the ice from sticking.
- Check the water level regularly when the ice maker is turned on. If the water pump cannot inject water, the ice maker will stop automatically and the **D** indicator will come on. Press the main switch (**B**), fill the water tank to the water level mark and press the main switch again. Wait 3 minutes for the refrigerant to settle before restarting.

- When the ice basket is full, the **C** light will come on and the ice maker stops the ice production cycle automatically. Carefully remove the ice from the ice basket using the ice scoop. After emptying the ice basket and closing the lid, the ice making function starts again automatically.

Warning: Direct sunlight or the reflection of sunlight may cause a malfunction of the infrared sensor. If the appliance does not stop, the sensor may also be blocked by the ice cubes. Move the appliance out of direct sunlight.

- Change the water in the water tank at least once a day to ensure an adequate level of hygiene and clean ice.
- If you use the ice maker for a long time, the water pump may not transport enough water due to air bubbles. In this case, the water addition indicator (**D**) will light up. At this moment you have to press the main switch (**E**) again. The appliance should start operating normally.
- If you do not use the appliance for a while, drain the water from the tank and clean the tank.
- If the compressor stops working properly due to lack of water, excessive water, or power failure, it will take approximately 3 minutes after restarting before it starts operating.
- Always use fresh water before starting ice production, either during the first installation or after a longer shutdown.

Note: Water and ambient temperature affect the capacity of the ice cubes production; lower water temperature and lower ambient temperature mean greater ice cube capacity and shorter ice production time. The noise emitted by the water pump during ice production is normal.

TROUBLESHOOTING

Problem	Possible cause	Troubleshooting
The water addition indicator is on (D).	Lack of water.	Stop the ice maker, fill it with water and restart the appliance by pressing the main switch again.
	The ice container filling sensor is not working properly.	Contact a service center.
The water addition indicator (D) is on, even though the water tank is full. No ice is produced.	The ice container filling sensor is not working properly.	Contact a service center.
The ice container full indicator (C) is on.	The ice basket is full.	Remove the ice from the basket.
The ice full indicator (C) is on, but there is no ice in the container.	The ice container filling sensor (transmitter and receiver) is covered with dirt contained in the water or other pollutants.	Use a soft cloth soaked in water to clean the ice container fill sensor. After cleaning, check that the ice maker is working again, if this does not help, contact the service center.
	The ice container filling sensor is not working properly.	Contact a service center.
The ice container full indicator (C) comes on for 3 seconds and turns off for 3 seconds.	The ice scoop is stuck or the turning mechanism is not working properly.	Check that the ice does not block the ice scoop, otherwise press the main switch to turn off the ice maker and press it again to see if it can produce ice normally. If the ice container full indicator (C) continues to flashh, press the main switch, turn off the appliance and contact a service center.

The indicators on the display are off.	The fuses or power supply are off, there is no current.	Replace the fuses or turn on the power.
The ice cubes are stuck together.	The ice production cycle is too long.	Stop the ice maker and restart it once the ice blocks have melted. Choose the small size of ice cubes.
	The water temperature in the tank is too low.	Change the water in the tank. Use water at a temperature range of 7-32 ° C.
	Leaving ice in the appliance for a long time may cause the appliance to recycle the ice by dissolving it and producing a new batch.	Transfer the prepared ice to another container and store in a refrigerator or freezer to prevent recycling.
The ice cubes are melting.	Leaving ice in the appliance for a long time may cause the appliance to recycle the ice by dissolving it and producing a new batch. The ice maker is not designed for long-term ice storage. If the ice is not used or regularly moved to a cooling or freezing box, melting of the ice is normal.	After a long time, transfer the finished ice to another container and store it in a refrigerator or freezer to prevent its recycling.
The ice production cycle is normal, but ice is not made.	The ambient or water temperature in the tank is too high.	Operate the ice maker at a temperature below 32 ° C and use cold water.
	Refrigerant leak.	Contact a service center.
	The cooling system piping is clogged.	Contact a service center.

CLEANING AND MAINTENANCE

- Clean the ice maker, water tank, scoop and evaporator regularly.
- Switch off and unplug the appliance from power before starting maintenance.
- Remove the ice cubes, move the ice maker to the sink or above the sink and remove the drain plug from the front bottom. Drain the remaining water into the sink.
- Remove the ice basket and wash it in warm water.
- Do not use any mechanical tools to speed up the defrosting process.
- Clean the interior with diluted detergent, warm water and a soft cloth.
- The outside of the ice maker should be cleaned regularly with a mild detergent solution and warm water.
- Do not spray chemicals or solvents, such as acids, gasoline, or oil, on the device.
- Before switching on again, clean the interior and wipe it thoroughly with a soft cloth.
- Replace the drain plug.

TECHNICAL DATA

Total volume	2 l
Rated voltage and frequency	220-240 ~ 50 Hz
Power input	100-120 W
Power	1.6 A
Protection class against electric shock	I
Insulating foam	CYCLOPENTAN
Refrigerant	R600a/23g

Climate class

SN/N/ST/T

USE AND DISPOSAL OF WASTE

Wrapping paper and corrugated paperboard – deliver to scrapyards. Packing foil, PE bags, plastic elements – throw into plastic recycling containers.

DISPOSAL OF PRODUCTS AT THE END OF LIFETIME

Disposal of electric and electronic equipment (valid in EU member countries and other European countries with an implemented recycling system)

The represented symbol on the product or package means the product shall not be treated as domestic waste. Hand over the product to the specified location for recycling electric and electronic equipment. Prevent negative impacts on human health and the environment by properly recycling your product. Recycling contributes to preserving natural resources. For more information on the recycling of this product, refer to your local authority, domestic waste processing organization or store, where you purchased the product.



08/05



This product complies with the requirements of the EU directives on electromagnetic compatibility and electrical safety and the issue of heavy metals in electrical and electronic equipment. Furthermore, it meets the relevant energy requirements and requirements for direct contact with food.

The operating manual is available at www.ecg-electro.eu.
Changes of text and technical parameters reserved.

SICHERHEITSHINWEISE

Bitte aufmerksam lesen und gut aufbewahren!

Warnung: Die in dieser Anleitung angeführten Sicherheitsvorkehrungen und Hinweise umfassen nicht alle Umstände und Situationen, zu denen es kommen könnte. Der Anwender muss begreifen, dass der gesunde Menschenverstand, Vorsicht und Sorgfalt zu Faktoren gehören, die sich in kein Produkt einbauen lassen. Diese Faktoren müssen durch den Anwender bzw. mehrere Anwender bei der Verwendung und Bedienung dieses Gerätes gewährleistet werden. Wir haften nicht für Schäden, die durch Transport, eine unsachgemäße Verwendung, Spannungsschwankungen sowie eine Änderung oder Modifikation des Gerätes entstehen. Die Nichteinhaltung der Sicherheitshinweise könnte zu Verletzungen von Personen, Vermögensschäden oder Stromunfällen führen.

Um das Risiko von Bränden oder Stromschlägen zu vermeiden, sollten bei der Verwendung elektrischer Geräte immer grundlegende Vorsichtsmaßnahmen befolgt werden, einschließlich der folgenden:

1. Vergewissern Sie sich, dass die Spannung in Ihrer Steckdose mit der Spannung auf dem Typenschild übereinstimmt und die Steckdose ordnungsgemäß geerdet wurde. Die Steckdose muss gemäß geltender elektrotechnischer Norm (EN) installiert werden.
2. Benutzen Sie das Gerät nicht, wenn das Netzkabel beschädigt ist, wenn das Gerät nicht richtig funktioniert oder kaputt ist, wenn es zu Boden gestürzt ist oder anderweitig beschädigt wurde. Lassen Sie sämtliche Reparaturen, Einstellungen und das Auswechseln des Netzkabels durch einen autorisierten Kundendienst vornehmen! Demontieren Sie niemals die Schutzabdeckungen des Gerätes. Dies könnte zu einem Stromunfall führen!
3. Schützen Sie das Gerät vor direktem Kontakt mit Wasser und anderen Flüssigkeiten, um einen Stromschlag oder Brand zu vermeiden. Gerät, Netzkabel oder Stecker niemals ins Wasser tauchen!

4. Um eine Beschädigung des Netzkabels zu vermeiden, achten Sie darauf, dass es nicht in die Nähe des Kompressors des Geräts kommt oder diesen berührt.
5. Verwenden Sie das Gerät nicht im Freien oder in Räumen mit großer Luftfeuchtigkeit. Setzen Sie das Gerät nicht direktem Sonnenlicht aus und stellen es nicht in der Nähe von Heizgeräten auf. Netzkabel oder Gerät nicht mit nassen Händen berühren. Es könnte zu einem Stromunfall kommen.
6. Der Stecker muss stets gut erreichbar sein. Kürzen Sie das Netzkabel nicht und verwenden Sie keine Mehrfachstecker in Steckdosen oder Verlängerungskabel.
7. Das Gerät muss separat in die Steckdose gesteckt werden. Das Netzkabel darf nicht heiße Teile berühren, über scharfe Kanten führen, unter dem Teppich liegen oder von Regalen oder Tischen runterhängen.
8. Gerät niemals durch das Einstecken/Herausziehen des Steckers ein- oder ausschalten.
9. Wird vom Gerät ungewöhnlicher Geruch oder Rauch abgegeben, trennen Sie es sofort vom Stromnetz trennen und suchen eine Kundendienststelle auf.
10. Stellen Sie das Gerät immer auf eine feste und ebene Fläche. Stellen Sie das Gerät niemals auf Oberflächen auf, wo es durch Wasser oder Feuchtigkeit beschädigt werden könnten (z.B. Oberflächen aus Holz, Bambus, lackierte Oberflächen u.dgl.).
11. Stellen Sie keine Gegenstände auf das Gerät und decken Sie es nicht ab. Lassen Sie das Gerät nicht in der Nähe von oder in Kontakt mit brennbaren Stoffen. Es besteht Brandgefahr. Um eine gute Luftzirkulation zu gewährleisten, sollten Sie über dem Gerät einen Mindestabstand von 22 cm und an den Seiten einen Freiraum von 15 cm lassen. Betreiben Sie das Gerät nicht in Küchenmöbeln oder in anderen Möbeln.
12. Das Gerät ist für die Herstellung von Eiswürfeln vorgesehen. Verwenden Sie das Gerät nur gemäß den in dieser Bedienungsanleitung angeführten Anweisungen. Der Hersteller

übernimmt keine Haftung für Schäden, die auf eine unsachgemäße Verwendung zurückzuführen sind.

13. Dieses Gerät ist für den Gebrauch im Haushalt und in ähnlichen Räumlichkeiten bestimmt:

- Küchenzeilen in Geschäften, Büros und anderen Arbeitsplätzen;
- Geräte, die von Gästen in Hotels, Motels und anderen Unterbringungseinrichtungen verwendet werden;
- Geräte, die in Betrieben verwendet werden, die Übernachtung und Frühstück anbieten;
- Geräte, die in der Gastronomie und ähnlichen Bereichen außerhalb nichtkommerzieller Bereiche verwendet werden.

HINWEIS: Dieses Gerät ist nicht für den professionellen Gebrauch vorgesehen.

14. **WARNUNG:** Verwenden Sie nur sauberes, trinkbares und stilles Wasser, das keine Zusätze enthält, die das Gerät beschädigen könnten. Schalten Sie das Gerät nicht ein, wenn sich kein Wasser im Tank befindet. Überfüllen Sie den Wassertank nicht. Der Wasserstand muss zwischen der MIN- und der MAX-Markierung liegen.

15. **WARNUNG:** Lassen Sie das Gerät vor der ersten Inbetriebnahme mindestens 1 Stunde stehen, damit sich das Kühlmittel absetzen kann, sonst besteht die Gefahr einer Beschädigung des Kompressors.

16. Betreiben und lagern Sie das Gerät nur in horizontaler Lage. GERÄT NIEMALS KIPPEN.

17. Gerät nach dem Transport oder der Lagerung bei kühlen Temperaturen mindestens 3 Stunden lang bei Zimmertemperatur akklimatisieren lassen.

18. Das Gerät darf nur in Räumen mit einer Umgebungstemperatur zwischen 10-38°C betrieben und gelagert werden.

19. Reinigen Sie das Gerät regelmäßig. Vergessen Sie es nicht vor der Reinigung auszuschalten und vom Stromnetz zu trennen.

20. Tauchen Sie den Gerätekörper bei der Reinigung nicht in Wasser ein. Verwenden Sie keine aggressiven oder abrasiven Mittel, die das Gerät beschädigen könnten. **WARNUNG:** Verwenden Sie keine flüchtigen oder entflammenden Stoffe – es besteht Explosionsgefahr.

21. **HINWEIS:** Um das Abtauen des Geräts zu beschleunigen, verwenden Sie keine mechanischen Werkzeuge, die nicht vom Hersteller empfohlen werden, und gießen Sie auch kein heißes Wasser in das Gerät.
22. Berühren Sie während des Betriebs keine beweglichen Teile des Geräts.
23. Das Gerät darf nicht gekippt oder umgestellt werden. Wassertank niemals leeren, wenn das Gerät in Betrieb ist!
24. Seien Sie aufmerksam, falls Sie das Gerät in der Nähe von Kindern verwenden.
25. Dieses Gerät darf nicht von Kindern bedient werden. Gerät sowie Netzkabel außer Reichweite von Kindern halten. Personen mit verminderten physischen, sensorischen und mentalen Fähigkeiten sowie mangelnden Erfahrungen und Kenntnissen, können dieses Gerät nur unter Aufsicht benutzen, oder nachdem diese über einen gefahrlosen Gebrauch belehrt und mit möglichen Gefahren bekannt gemacht wurden. Kinder dürfen nicht mit dem Gerät spielen.
26. Schalten Sie das Gerät immer aus und trennen Sie es vom Stromnetz, wenn:
- das Gerät nicht richtig arbeitet,
 - das Gerät einen ungewöhnlichen Geruch oder Rauch abgibt,
 - Sie es zusammenstellen,
 - Sie das Wasser in den Tank nachfüllen und ihn in das Gerät zurückgeben,
 - Sie es warten möchten,
 - Sie es nicht mehr benutzen möchten.
27. **HINWEIS:** Dieses Produkt enthält das Kühlmittel R600a, das leicht entzündlich ist. Es ist dafür zu sorgen, dass kein Abschnitt des Kühlkreislaufes beschädigt wird. Wurde der Kühlkreislauf beschädigt, beugen Sie einem Brand vor und sorgen dafür, dass die Räume, in denen sich das Gerät befindet, gut ausgelüftet werden.



WARNUNG: VORSICHT BRANDGEFAHR!

Do not immerse in water! – Nicht ins Wasser tauchen!

GEFAHR FÜR KINDER: Kinder dürfen nicht mit dem Verpackungsmaterial spielen. Kinder dürfen nicht mit den Kunststoffbeuteln spielen. Erstickungsgefahr.

VERWENDUNG DES EISWÜRFELBEREITERS

- Entfernen Sie alle äußeren und inneren Verpackungen. Vergewissern Sie sich, dass der Eiswürfelkorb und die Eisschaufel im Lieferumfang enthalten sind. Sollte ein Teil oder Zubehörteil fehlen, wenden Sie sich an die Kundendienststelle.
- Kippen Sie den Eiswürfelbereiter während des Transports oder der Verwendung nicht mehr als 45°.
- Stellen Sie den Eiswürfelbereiter nicht auf den Kopf, da es sonst zu Fehlfunktionen des Kompressors oder des Kühlsystems kommen kann.
- Wenn Sie den Eiswürfelbereiter umstellen oder transportieren, warten Sie, bis sich die Flüssigkeiten im Kompressor mindestens 2 Stunden lang gesetzt haben, bevor Sie das Gerät an das Stromnetz anschließen. Auf diese Weise reduzieren Sie Störungen im Kühlsystem, die auf eine unsachgemäße Manipulation zurückzuführen sind.
- Die Lüftungsöffnungen des Geräts dürfen nicht abgedeckt oder blockiert werden.
- Öffnen Sie den oberen Deckel, entfernen Sie den Eiswürfelkorb und füllen Sie Trinkwasser (am besten gereinigtes oder destilliertes Wasser) in den Wassertank.

Warnung: Füllen Sie das Wasser nicht über die MAX-Markierung, die auf der Rückseite des Wassertanks markiert ist.

- Wenn der Eiswürfelbereiter zum ersten Mal oder nach längerem Nichtgebrauch verwendet wird, entsorgen Sie die Eiswürfel, die während der ersten beiden Zyklen produziert wurden.
- Sorgen Sie für einen ausreichenden Belüftungsraum rund um den Eiswürfelbereiter, um eine ordnungsgemäße Leistung, Wärmeableitung, Effizienz und geringen Energieverbrauch aufrechtzuerhalten.
- Gerät an das Stromnetz anschließen. Die Ladeanzeige (**B**) blinkt.
- Drücken Sie den Hauptschalter (**E**) auf dem Bedienfeld, um den Eisproduktions-Zyklus zu starten. Die Ladeanzeige (**B**) leuchtet.
- Drücken Sie die Taste **F**, um die Eiswürfelgröße auszuwählen. Wählen Sie zwischen 2 Größen aus – klein oder groß.
- Wenn die Umgebungstemperatur unter 15 °C liegt, empfehlen wir, eine kleinere Größe zu wählen, damit die Eiswürfel nicht zusammenkleben.
- Prüfen Sie den Wasserstand regelmäßig, wenn der Eiswürfelbereiter eingeschaltet ist. Wenn die Wasserpumpe kein Wasser einspritzen kann, schaltet sich der Eiswürfelbereiter automatisch ab und die Anzeige **D** leuchtet auf. Drücken Sie den Hauptschalter (**B**), füllen Sie Wasser bis zur Markierung und drücken Sie erneut den Hauptschalter. Warten Sie 3 Minuten, bis sich das Kühlmittel abgesetzt hat, bevor Sie das Gerät wieder starten.
- Sobald der Eiswürfelkorb voll ist, leuchtet die Anzeige **C** auf und der Eiswürfelbereiter stoppt automatisch den Eiswürfelproduktions-Zyklus. Nehmen Sie das Eis vorsichtig mit der Eisschaufel aus dem Eiswürfelkorb heraus. Wenn der Eiswürfelkorb geleert und der Deckel geschlossen ist, wird die Eiswürfelproduktion automatisch fortgesetzt.

Warnung: Direkte Sonneneinstrahlung oder Reflexionen des Sonnenlichts können zu Fehlfunktionen des Infrarotsensors führen. Wenn das Gerät nicht stoppt, könnte der Sensor auch von den Eiswürfeln blockiert sein. Platzieren Sie das Gerät an einen Ort, an dem es keiner Sonneneinstrahlung ausgesetzt ist.

- Wechseln Sie das Wasser im Wassertank mindestens einmal am Tag, damit das Hygieneniveau aufrechterhalten und für sauberes Eis gesorgt wird.
- Wenn Sie den Eiswürfelbereiter über einen längeren Zeitraum verwenden, könnte die Wasserpumpe aufgrund von Luftblasen nicht genügend Wasser pumpen. In diesem Fall leuchtet die Anzeige für Wasserzugabe (**D**) auf. Drücken Sie an dieser Stelle erneut den Hauptschalter (**E**). Das Gerät sollte nun normal funktionieren.
- Wenn Sie das Gerät für einen längeren Zeitraum nicht benutzen, lassen Sie Wasser aus dem Wassertank heraus und reinigen Sie den Wassertank.
- Wenn der Kompressor aufgrund von Wassermangel, Wasserüberschuss oder Stromausfall nicht mehr richtig funktioniert, dauert es etwa 3 Minuten nach dem Neustart, bis er wieder den Betrieb aufnimmt.
- Verwenden Sie immer frisches Wasser, bevor Sie mit der Eiswürfelproduktion beginnen, sei es bei der ersten Installation oder nach einer längeren Außerbetriebnahme.

Bemerkung: Die Wasser- sowie Umgebungstemperatur wirken sich auf die Kapazität der produzierten Eiswürfel aus. Eine niedrigere Wassertemperatur und eine niedrigere Umgebungstemperatur führen zu einer größeren Eiswürfelkapazität und einer kürzeren Eiswürfelproduktion. Das Geräusch, das eine Wasserpumpe bei der Eiswürfelproduktion abgibt, ist normal.

PROBLEMBEBEHUNG

Problem	Mögliche Ursache	Empfohlene Lösung
Die Anzeige für Wasserzugabe (D) leuchtet.	Wassermangel.	Schalten Sie den Eiswürfelbereiter aus, füllen Sie ihn mit Wasser und drücken Sie den Hauptschalter erneut, um das Gerät neu zu starten.
	Der Sensor für vollen Eiswürfelbehälter funktioniert nicht richtig.	Wenden Sie sich an eine Kundendienststelle.
Die Anzeige für Wasserzugabe (D) leuchtet, obgleich der Wassertank leer ist. Es werden keine Eiswürfel hergestellt.	Der Sensor für vollen Eiswürfelbehälter funktioniert nicht richtig.	Wenden Sie sich an eine Kundendienststelle.
Anzeige für vollen Eiswürfelbehälter (C) leuchtet.	Der Eiswürfelkorb ist voll.	Nehmen Sie die hergestellten Eiswürfel aus den Korb heraus.
Die Anzeige für vollen Eiswürfelbehälter (C) leuchtet, aber im Behälter befindet sich kein Eis.	Der Sensor für vollen Eiswürfelbehälter (Sender und Empfänger) ist mit Verunreinigungen aus dem Wasser oder anderen Verschmutzungen bedeckt.	Verwenden Sie ein weiches und ins Wasser eingetauchtes Tuch, um den Sensor für vollen Eiswürfelbehälter zu reinigen. Überprüfen Sie nach der Reinigung, ob der Eiswürfelbereiter wieder funktioniert, sollte dies nicht der Fall sein, wenden Sie sich an eine Kundendienststelle.
	Der Sensor für vollen Eiswürfelbehälter funktioniert nicht richtig.	Wenden Sie sich an eine Kundendienststelle.

Die Anzeige für vollen Eiswürfelbehälter (C) leuchtet 3 Sekunden lang auf und erlischt dann für 3 Sekunden.	Die Eisschaufel ist stecken geblieben oder der Drehmechanismus arbeitet nicht richtig.	Vergewissern Sie sich, dass die Eiswürfel die Eisschaufel nicht blockieren. Falls ja, drücken Sie den Hauptschalter, um den Eiswürfelbereiter auszuschalten, und drücken Sie ihn erneut, um festzustellen, ob er normal Eiswürfel produzieren kann. Wenn die Anzeige für vollen Eiswürfelbehälter (C) immer noch blinkt, drücken Sie den Hauptschalter, schalten Sie das Gerät aus und wenden Sie sich an eine Kundendienststelle.
Die Anzeigen auf dem Display leuchten nicht.	Die Sicherungen oder die Stromversorgung sind ausgeschaltet, die Stromversorgung ist abgestellt.	Wechseln Sie die Sicherungen aus oder stellen Sie die Stromversorgung wieder her.
Die Eiswürfel sind zusammengeklebt.	Der Eiswürfelproduktions-Zyklus dauert zu lange.	Stoppen Sie den Eiswürfelbereiter und schalten Sie ihn wieder ein, sobald die Eiswürfel geschmolzen sind. Wählen Sie eine kleine Eiswürfelgröße aus.
	Die Wassertemperatur im inneren Behälter ist zu niedrig.	Wechseln Sie das Wasser im Tank. Verwenden Sie Wasser mit einer Temperatur von 7-32 °C.
	Wenn Sie das Eis über einen längeren Zeitraum im Gerät lassen, kann das Gerät das Eis wiederverwenden, indem es das Eis schmilzt und eine neue Portion herstellt.	Geben Sie das vorbereitete Eis in einen anderen Behälter um und bewahren Sie es im Kühlschrank oder Gefrierschrank auf, damit es nicht wiederverwendet wird.
Die Eiswürfel schmelzen.	Wenn Sie das Eis über einen längeren Zeitraum im Gerät lassen, kann das Gerät das Eis wiederverwenden, indem es das Eis schmilzt und eine neue Portion herstellt. Der Eiswürfelbereiter ist nicht für die langfristige Lagerung von Eiswürfeln vorgesehen. Wenn die Eiswürfel nicht benutzt oder nicht regelmäßig in die Kühl- oder Gefrierbox gegeben werden, ist das Schmelzen normal.	Geben Sie die fertigen Eiswürfel nach einem längeren Zeitraum in einen anderen Behälter und lagern Sie sie in einem Kühl- oder Gefrierschrank, um die Wiederverwendung zu verhindern.
Der Eiswürfelproduktions-Zyklus ist normal, aber es wird kein Eis hergestellt.	Die Umgebungstemperatur oder die Wassertemperatur im Innenbehälter ist zu hoch.	Betreiben Sie den Eiswürfelbehälter bei einer Temperatur unter 32 °C und verwenden Sie kaltes Wasser.
	Kühlmittelleck.	Wenden Sie sich an eine Kundendienststelle.
	Die Kühlsystemleitungen sind verstopft.	Wenden Sie sich an eine Kundendienststelle.

REINIGUNG UND INSTANDHALTUNG

- Reinigen Sie regelmäßig den Eiswürfelbereiter, den Wassertank, die Schaufel und den Verdampfer.
- Schalten Sie das Gerät aus und trennen Sie es vom Stromnetz, bevor Sie mit der Wartung beginnen.

- Entfernen Sie die Eiswürfel, geben Sie den Eiswürfelbereiter in das Waschbecken oder über das Waschbecken und entfernen Sie den Ablassstopfen an der vorderen Unterseite. Lassen Sie das restliche Wasser aus.
- Nehmen Sie den Eiswürfelkorb heraus und waschen Sie diesen mit warmem Wasser.
- Verwenden Sie keine mechanischen Hilfsmittel, um den Abtauvorgang zu beschleunigen.
- Reinigen Sie den Innenraum mit verdünntem Reinigungsmittel, warmem Wasser und einem weichen Tuch.
- Die Außenseite des Eiswürfelbereiters sollte regelmäßig mit einem milden Reinigungsmittel und warmem Wasser gereinigt werden.
- Sprühen Sie keine Chemikalien oder Lösungsmittel wie Säuren, Benzin oder Öl auf das Gerät.
- Reinigen Sie den Innenraum vor dem erneuten Einschalten und spülen Sie ihn gründlich mit einem weichen Tuch ab.
- Bringen Sie den Auslassstopfen erneut an.

TECHNISCHE ANGABEN

Bruttoinhalt	2 l
Nennspannung und Frequenz	220-240 ~ 50 Hz
Anschlusswert	100-120 W
Strom	1.6A
Schutzklasse vor Stromunfall	I
Isolierschaum	CYCLOPENTAN
Kühlmittel	R600a/23g
Klimaklasse	SN/N/ST/T

VERWERTUNG UND ENTSORGUNG VON ABFALL

Verpackungspapier und Wellenpappe an einer Sammelstelle abgeben. Verpackungsfolie, PET-Beutel und Kunststoffteile gehören in Sammelcontainer für Kunststoff.

ENTSORGUNG DES PRODUKTES NACH ABLAUF DER LEBENSDAUER

Entsorgung von gebrauchten elektrischen und elektronischen Geräten (gültig in den Mitgliedsländern der EU und anderen europäischen Ländern, in denen das Abfalltrennungssystem eingeführt ist)

Das abgebildete Symbol auf dem Produkt oder auf der Verpackung weist darauf hin, dass das Produkt nicht in den Hausmüll gehört. Das Produkt sollte an einem Ort abgegeben werden, der für die Wiederverwertung von Elektro- und Elektronikgeräten bestimmt ist. Eine richtige Entsorgung des Produktes beugt negativen Einflüssen auf die menschliche Gesundheit und die Umwelt vor. Die Wiederverwertung trägt zum Schutz der Naturressourcen bei. Weitere Informationen über die Wiederverwertung des Produktes erhalten Sie über das Gemeindeamt, eine Organisation, die sich mit der Behandlung von Hausmüll befasst, oder die Verkaufsstelle, an der das Produkt erworben wurde.



08/05

Dieses Produkt erfüllt die Anforderungen der EU-Richtlinien zur elektromagnetischen Verträglichkeit und elektrischen Sicherheit sowie zur Schwermetallproblematik in Elektro- und Elektronikgeräten. Darüber hinaus erfüllt es die einschlägigen Anforderungen in Bezug auf Energieeffizienz und Lebensmittelkontakt.



Die Bedienungsanleitung ist der Website www.ecg-electro.eu zu entnehmen. Änderungen des Textes und der technischen Parameter vorbehalten.

BEZPEČNOSTNÍ POKYNY

Čtěte pozorně a uschovejte pro budoucí potřebu!

Varování: Bezpečnostní opatření a pokyny uvedené v tomto návodu nezahrnují všechny možné podmínky a situace, ke kterým může dojít. Uživatel musí pochopit, že faktorem, který nelze zabudovat do žádného z výrobků, je zdravý rozum, opatrnost a péče. Tyto faktory tedy musí být zajištěny uživatelem/uživateli používajícími a obsluhujícími toto zařízení. Neodpovídáme za škody způsobené během přepravy, nesprávným používáním, kolísáním napětí nebo změnou či úpravou jakékoliv části zařízení. Nedodržení bezpečnostních pokynů může mít za následek zranění osob, poškození majetku, požár, nebo úraz elektrickým proudem.

Aby nedošlo ke vzniku požáru nebo k úrazu elektrickým proudem, měla by být při používání elektrických zařízení vždy dodržována základní opatření, včetně těch následujících:

1. Ujistěte se, že napětí ve vaší zásuvce odpovídá napětí uvedenému na štítku zařízení a že je zásuvka řádně uzemněná. Zásuvka musí být instalována podle platné elektrotechnické normy ČSN.
2. Nikdy spotřebič nepoužívejte, pokud je přívodní kabel poškozen, pokud spotřebič nefunguje správně nebo je porouchaný, pokud jste ho upustili nebo jiným způsobem poškodili. Veškeré opravy nebo seřízení včetně výměny napájecího přívodu svěřte odbornému servisu! Nedemontujte ochranné kryty zařízení, hrozí nebezpečí úrazu elektrickým proudem!
3. Chraňte spotřebič před přímým kontaktem s vodou a jinými tekutinami, aby nedošlo k případnému úrazu elektrickým proudem či požáru. Neponořujte spotřebič, přívodní kabel nebo vidlici do vody!
4. Aby nedošlo k poškození kabelu, dbejte na to, aby se nedostal do těsné blízkosti nebo se nedotýkal kompresoru spotřebiče.
5. Nepoužívejte spotřebič venku, nebo v prostorách s vysokou vlhkostí. Nevystavujte spotřebič přímému slunečnímu záření a nestavte jej do blízkosti topných zařízení. Nedotýkejte se přívodního kabelu nebo

spotřebiče mokrými rukama. Hrozí nebezpečí úrazu elektrickým proudem.

6. Vidlice napájecího přívodu musí zůstat snadno dostupná. Kabel nezkracujte a nepoužívejte rozbočky v elektrických zásuvkách nebo prodlužovací kabely.
7. Spotřebič musí být zapojen do zásuvky samostatně. Napájecí přívod se nesmí dotýkat horkých částí, vést přes ostré hrany, ležet pod kobercem nebo viset z police či stolu.
8. Spotřebič nezapínejte a nevypínejte zasunutím nebo vytažením vidlice napájecího přívodu.
9. Pokud se ze spotřebiče line neobvyklý zápach nebo kouř, okamžitě jej odpojte od elektrické sítě a navštivte s spotřebičem servisní středisko.
10. Spotřebič vždy umístěte na pevný, rovný povrch. Nikdy jej nestavte na povrch, který by voda nebo vlhkost mohly poškodit (např. ze dřeva, z bambusu, na lakované povrchy a podobně).
11. Na spotřebič nic nestavte a nezakrývejte jej. Nenechávejte spotřebič v blízkosti nebo ve styku s hořlavými látkami. Hrozí riziko požáru. Pro správnou cirkulaci vzduchu ponechte minimálně nad spotřebičem 22 cm a po jeho stranách 15 cm volného prostoru. Spotřebič neprovazujte v uvnitř kuchyňského či jiného nábytku.
12. Spotřebič je určen pro výrobu ledu. Používejte jej pouze v souladu s pokyny uvedenými v tomto návodu. Výrobce neodpovídá za škody způsobené nesprávným použitím tohoto zařízení.
13. Tento spotřebič je určen pro použití v domácnosti a podobných prostorech, jako jsou:
 - kuchyňské kouty v obchodech, kancelářích a ostatních pracovištích;
 - spotřebiče používané hosty v hotelích, motelech a jiných obytných prostředích;
 - spotřebiče používané v podnicích zajišťujících nocleh se snídaní;
 - spotřebiče používané ve stravovacích a podobných neprodejních prostředích.

UPOZORNĚNÍ: Tento spotřebič není určen pro profesionální využití.

14. **VÝSTRAHA:** Používejte výhradně čistou pitnou, neperlivou vodu bez přísad, které by mohly spotřebič poškodit. Nezapínejte spotřebič, pokud v nádobě není voda a zároveň nádobu nepřepĺňujte. Hladina vody musí být mezi ryskami MIN a MAX.
15. **VÝSTRAHA:** Před prvním uvedením do provozu ponechte spotřebič alespoň 1 hodinu stát, než se usadí chladivo, jinak hrozí poškození kompresoru.
16. Zařizování provozujte a skladujte výhradně ve vodorovné poloze. **NEPŘEKLÁPĚJTE JEJ.**
17. Po přepravě nebo skladování v chladných podmínkách je třeba nechat spotřebič alespoň 3 hodiny aklimatizovat při pokojové teplotě.
18. Spotřebič smí být provozován a skladován pouze v místech s okolní teplotou mezi 10-38°C.
19. Pravidelně spotřebič čistěte a před čištěním jej vždy vypněte a odpojte od elektrické sítě.
20. Při čištění neponořujte tělo spotřebiče do vody. Nepoužívejte žádné agresivní ani abrazivní prostředky, mohlo by dojít k poškození spotřebiče. **VÝSTRAHA:** Nepoužívejte žádné těkavé nebo hořlavé látky – hrozí riziko výbuchu.
21. **UPOZORNĚNÍ:** Pro urychlení odmrazování výrobku nepoužívejte žádné mechanické nástroje, které nejsou doporučeny výrobcem, ani nelijte do spotřebiče teplou vodu.
22. Při provozu se nedotýkejte žádných pohyblivých částí spotřebiče.
23. Nikdy spotřebič nenaklánějte, nepřemísťujte a nepokoušejte se vyprázdnit vodní nádržku, pokud je spotřebič v provozu!
24. Dbejte zvýšené pozornosti, pokud používáte spotřebič v blízkosti dětí.
25. Tento spotřebič nesmějí používat děti. Udržujte spotřebič a jeho přívod mimo dosah dětí. Spotřebiče mohou používat osoby se sníženými fyzickými, smyslovými či mentálními schopnostmi nebo nedostatkem zkušeností a znalostí, pokud jsou pod dozorem nebo byly poučeny o používání spotřebiče bezpečným způsobem a rozumí případným nebezpečím. Děti si se spotřebičem nesmějí hrát.

26. Spotřebič vždy vypněte a odpojte od elektrické sítě v případě že:
- spotřebič nepracuje správně,
 - pokud se ze spotřebiče line neobvyklý zápach nebo kouř,
 - při sestavování spotřebiče,
 - pokud doplňujete vodu do nádoby a instalujete ji na její místo ve spotřebiči,
 - před údržbou,
 - nebudete-li jej dále používat.
27. **UPOZORNĚNÍ:** Tento výrobek obsahuje chladicí medium R600a plyn, který je velice hořlavý. Je nutné zajistit, aby žádná z částí chladicího obvodu nebyla poškozená. V případě poškození zamezte hoření a prostory, ve kterých je zařízení umístěno, řádně vyvětrejte.



VÝSTRAHA: POZOR, RIZIKO POŽÁRU!

Do not immerse in water! – Neponořovat do vody!

NEBEZPEČÍ PRO DĚTI: Děti si nesmějí hrát s obalovým materiálem. Nenechte děti hrát si s plastovými sáčky. Nebezpečí udušení.

POUŽÍVÁNÍ VÝROBNÍKU LEDU

- Odstraňte všechny vnější a vnitřní obaly. Zkontrolujte, zda je součástí balení košík na led a lopatka na led. Pokud některý díl nebo příslušenství chybí, obraťte se na servisní středisko.
- Během přepravy nebo používání nenaklánějte výrobek ledu o více než 45°.
- Výrobek ledu neotáčejte dnem vzhůru, jinak by mohlo dojít k nesprávnému fungování kompresoru nebo chladicího systému.
- Při přenášení nebo přepravě výrobku ledu počkejte, až se tekutiny v kompresoru usadí alespoň 2 hodiny, a teprve poté spotřebič zapojte do sítě. Snížíte tak možnost poruchy chladicího systému v důsledku nesprávného zacházení.
- Nezakrývejte ani neblokujte větrací otvory spotřebiče.
- Otevřete horní víko, vyjměte košík na led a nalijte do nádrže pitnou vodu (nejlépe čištěnou nebo destilovanou).

Varování: Nedoplňujte vodu nad značku MAX na zadní straně zásobníku na vodu.

- Pokud je výrobek ledu používán poprvé nebo po delší době bez použití, vyhodte kostky ledu vyrobené během prvních dvou cyklů.
- Pro udržení správného výkonu, odvodu tepla, zachování účinnosti a nízké spotřeby energie je nutné mít kolem výrobku ledu dostatečný větrací prostor.
- Zapojte spotřebič do zásuvky. Indikátor napájení (B) začne blikat.

- Stisknutím hlavního vypínače (**E**) na ovládacím panelu zahájíte cyklus výroby ledu. Indikátor napájení (**B**) bude svítit.
- Stisknutím tlačítka **F** vyberte velikost kostky ledu. Můžete si vybrat ze 2 velikostí – malé nebo velké.
- Pokud je okolní teplota nižší než 15 °C, doporučujeme zvolit menší velikost, aby se led neslepil.
- Když je výrobnik ledu zapnutý, pravidelně kontrolujte hladinu vody. Pokud vodní čerpadlo nemůže vstříkovat vodu, výrobnik ledu se automaticky zastaví a rozsvítí se kontrolka **D**. Stiskněte hlavní vypínač (**B**), naplňte vodu po značku hladiny a znovu stiskněte hlavní vypínač. Před opětovným spuštěním vyčkejte 3 minuty, než se chladiivo usadí.
- Když je koš na led plný, rozsvítí se kontrolka **C** a výrobnik ledu automaticky zastaví cyklus výroby ledu. Opatrně vyjměte led z koše na led pomocí lopatky na led. Po vyprázdnění koše na led a zavření víka se automaticky znovu spustí funkce výroby ledu.

Varování: Přímé sluneční světlo nebo odraz slunečního světla může způsobit poruchu infračerveného senzoru. Pokud se spotřebič nezastaví, mohou čidlo blokovat i kostky ledu. Přemístěte spotřebič na místo, kam nedopadá sluneční světlo.

- Vodu v nádrži na vodu měňte alespoň jednou denně, abyste zajistili přiměřenou úroveň hygieny a čistý led.
- Pokud budete výrobnik ledu používat delší dobu, může se stát, že vodní čerpadlo nebude dopravovat dostatečné množství vody kvůli vzduchovým bublinám. V tomto případě se rozsvítí indikátor přidání vody (**D**). V tomto okamžiku musíte znovu stisknout hlavní vypínač (**E**). Zařízení by mělo začít normálně fungovat.
- Pokud spotřebič nějakou dobu nepoužíváte, vypusťte vodu z nádrže a nádržku vyčistěte.
- Pokud kompresor přestane správně pracovat z důvodu nedostatku vody, nadměrného množství vody nebo výpadku napájení, bude trvat přibližně 3 minuty po opětovném spuštění, než začne pracovat.
- Před zahájením výroby ledu vždy použijte čerstvou vodu, a to buď při první instalaci, nebo po delší odstavce.

Poznámka: Teplota vody i prostředí ovlivňuje kapacitu vyrobených kostek ledu, nižší teplota vody a nižší teplota prostředí znamená větší kapacitu kostek ledu a kratší dobu výroby ledu. Hluk, který vydává vodní čerpadlo při výrobě ledu, je normální.

ŘEŠENÍ POTÍŽÍ

Problém	Možná příčina	Doporučené řešení
Svítí indikátor přidání vody (D).	Nedostatek vody.	Zastavte výrobnik ledu, naplňte jej vodou a opětovným stisknutím hlavního vypínače přístroj restartujte.
	Senzor naplnění zásobníku ledu nefunguje správně.	Obráťte se na servisní středisko.
Svítí indikátor přidání vody (D), ačkoliv je nádržka plná. Led se nevyvrábí.	Senzor naplnění zásobníku ledu nefunguje správně.	Obráťte se na servisní středisko.
Svítí indikátor naplnění zásobníku ledu (C).	Košík na led je plný.	Vyjměte vyrobený led z košíku.

Svítil indikátor naplnění zásobníku ledu (C), ale žádný led v něm není.	Senzor naplnění zásobníku ledu (vysílač a přijímač) je pokrytý nečistotami obsaženými ve vodě nebo jinými znečišťujícími látkami.	K čištění senzoru naplnění zásobníku ledu použijte měkký hadřík namočený ve vodě. Po vyčištění zkontrolujte, zda výrobník ledu opět funguje, pokud to nepomůže, kontaktujte servisní středisko.
	Senzor naplnění zásobníku ledu nefunguje správně.	Obratťe se na servisní středisko.
Indikátor naplnění zásobníku ledu (C) se rozsvítí na 3 sekundy a na 3 sekundy zhasne.	Lopatka na led se zasekla nebo mechanismus otáčení nefunguje správně.	Zkontrolujte, zda led neblokuje lopatku na led, v opačném případě stisknutím hlavního vypínače výrobník ledu vypněte a opětovným stisknutím jej zapněte, abyste zjistili, zda může normálně vyrábět led. Pokud indikátor naplnění zásobníku ledu (C) stále problikává, stiskněte hlavní vypínač, vypněte přístroj a obraťte se na servisní středisko.
Indikátory na displeji nesvítil.	Pojistky nebo napájení jsou vypnuté, není žádný proud.	Vyměňte pojistky nebo zapněte napájení.
Kostky ledu se k sobě slepily.	Cyklus výroby ledu je příliš dlouhý.	Zastavte výrobník ledu a znovu jej spusťte, jakmile bloky ledu roztají. Vyberte malou velikost kostek ledu.
	Teplota vody ve vnitřní nádrži je příliš nízká.	Vyměňte vodu v nádrži. Používejte vodu o teplotě 7–32 °C.
	Ponechání ledu ve spotřebiči po delší dobu může vést k tomu, že spotřebič led recykluje tak, že jej rozpustí a vyrobí novou dávku.	Připravený led přendejte do jiné nádoby a uložte do chladničky nebo mrazničky, abyste zabránili jeho recyklaci.
Kostky ledu tají.	Ponechání ledu ve spotřebiči po delší dobu může vést k tomu, že spotřebič led recykluje tak, že jej rozpustí a vyrobí novou dávku. Výrobník ledu není navržen pro dlouhodobé skladování ledu. Pokud se led nepoužívá nebo pravidelně nepřemísťuje do chladicího nebo mrazicího boxu, je tání ledu normální.	Po delší době přendejte hotový led do jiné nádoby a uložte jej do chladicího boxu nebo mrazničky, aby se zabránilo jeho recyklaci.
Cyklus výroby ledu je normální, ale led se nevyrobí.	Okolní teplota nebo teplota vody ve vnitřní nádrži je příliš vysoká.	Výrobník ledu provozujte při teplotě nižší než 32 °C a používejte studenou vodu.
	Únik chladicí kapaliny.	Obratťe se na servisní středisko.
	Potrubi chladicího systému je ucpané.	Obratťe se na servisní středisko.

ČIŠTĚNÍ A ÚDRŽBA

- Pravidelně čistěte výrobník ledu, nádržku na vodu, lopatku a výparník.
- Před zahájením údržby spotřebič vypněte a odpojte od elektrické sítě.

- Vyměte kostky ledu, výrobník přemístěte do dřezu nebo nad dřez a vyměte vypouštěcí zátku z přední spodní strany. Vypusťte zbývající vodu do dřezu.
- Vyměte koš na led a umyjte jej v teplé vodě.
- Nepoužívejte žádné mechanické nástroje k urychlení procesu odmrazování.
- Vnitřní prostor čistěte zředěným čisticím prostředkem, teplou vodou a měkkým hadříkem.
- Vnější část výrobníku ledu by se měla pravidelně čistit jemným roztokem čisticího prostředku a teplou vodou.
- Nestříkejte na zařízení chemikálie nebo rozpouštědla, jako jsou kyseliny, benzín nebo olej.
- Před opětovným zapnutím vyčistěte vnitřní prostor a důkladně jej opláchněte měkkým hadříkem.
- Vraťte zpět vypouštěcí zátku.

TECHNICKÉ ÚDAJE

Celkový objem	2l
Jmenovité napětí a frekvence	220-240 ~ 50 Hz
Příkon	100-120W
Proud	1.6A
Třída ochrany před úrazem elektrickým proudem	I
Izolační pěna	CYCLOPENTAN
Chladivo	R600a/23g
Klimatická třída	SN/N/ST/T

VYUŽITÍ A LIKVIDACE ODPADU

Balící papír a vlnitá lepenka – odevzdat do sběrných surovin. Přebalová folie, PE sáčky, plastové díly – do sběrných kontejnerů na plasty.

LIKVIDACE VÝROBKU PO UKONČENÍ ŽIVOTNOSTI

Likvidace použitých elektrických a elektronických zařízení (platí v členských zemích EU a dalších evropských zemích se zavedeným systémem třídění odpadu)

Vyobrazený symbol na produktu nebo na obalu znamená, že s produktem by nemělo být nakládáno jako s domovním odpadem. Produkt odevzdejte na místo určené pro recyklaci elektrických a elektronických zařízení. Správnou likvidací produktu zabráníte negativním vlivům na lidské zdraví a životní prostředí. Recyklace materiálů přispívá k ochraně přírodních zdrojů. Více informací o recyklaci tohoto produktu Vám poskytne obecní úřad, organizace pro zpracování domovního odpadu nebo prodejní místo, kde jste produkt zakoupili.



08/05

Tento výrobek splňuje požadavky směrnice EU o elektromagnetické kompatibilitě a elektrické bezpečnosti a problematiky těžkých kovů v elektrických a elektronických zařízeních. Dále pak splňuje příslušnou energetickou náročnost a požadavky pro přímý styk s potravinami.



Návod k obsluze je k dispozici na webových stránkách www.ecg-electro.eu.

Změna textu a technických parametrů vyhrazena.

SIGURNOSNE UPUTE

Pročitajte pažljivo i sačuvajte za buduću uporabu!

Pozor: Mjere opreza i upute ne pokrivaju sve moguće uvjete i opasnosti do kojih može doći. Korisnik treba biti svjestan da faktore sigurnosti, kao što su oprezno, brižno i razumno rukovanje, nije moguće ugraditi u proizvod. Zbog toga sâm korisnik ovog uređaja treba osigurati prisutnost tih sigurnosnih faktora. Nismo odgovorni za štete nastale prijevozom, nepravilnim korištenjem, promjenama napona te modificiranjem ili zamjenom bilo kojeg dijela uređaja. Nepoštivanje sigurnosnih uputa može dovesti do tjelesnih ozljeda, materijalne štete, požara ili strujnog udara.

Kako ne bi došlo do požara ili ozljede od udara električne struje, pri uporabi električnih uređaja uvijek se trebaju poštovati temeljne sigurnosne upute među kojima su i sljedeće:

1. Provjerite odgovara li napon struje na vašoj utičnici onome koji je naveden na pločici vašeg uređaja te je li utičnica pravilno uzemljena. Utičnica mora biti ugrađena prema zahtjevima nacionalnih elektrotehničkih normi.
2. Nikada ne upotrebljavajte uređaj ako je napojni kabel oštećen, ako uređaj ne radi ispravno nego je neispravan, pao je ili je na bilo koji drugi način oštećen. Bilo kakav popravak ili podešavanje uređaja, u što ulazi i zamjena kabela, mora biti povjerena stručnom servisu! Ne skidajte sigurnosni poklopac uređaja kako ne bi došlo do opasnosti od električnog udara!
3. Uređaj zaštitite od doticaja s vodom ili drugim tekućinama kako ne bi došlo do udara električne struje ili požara. Ne uranjajte uređaj, strujni kabel ili utikač u vodu!
4. Kako biste spriječili oštećenje kabela, pazite da se ne približi niti dodiruje kompresor uređaja.
5. Nemojte koristiti uređaj na otvorenom ili u područjima gdje je visoka vlaga. Ne izlažite uređaj izravnoj sunčevoj svjetlosti i ne stavljajte ga u blizinu uređaja za grijanje. Ne dotičite kabel za napajanje ni uređaj mokrim rukama. Postoji opasnost od električnog udara.

6. Utikač napajanja mora stalno ostati lako dostupan. Nemojte skraćivati kabel niti koristiti razdjelnike ili produžne kabele.
7. Uređaj se mora priključiti zasebno. Kabel za napajanje ne smije dodirivati vruće dijelove, prelaziti oštre rubove, ležati ispod tepiha ili visjeti s polica ili stola.
8. Nemojte uređaj ni uključivati ni isključivati uključivanjem ili isključivanjem utikača u i iz utičnice.
9. Ako uređaj emitira neobičan miris ili dim, odmah ga isključite i posjetite servisni centar.
10. Aparat uvijek postavite na čvrstu, ravnu površinu. Nikada ga nemojte postavljati na površinu koju bi voda ili vlaga mogla oštetiti (npr. drvo, bambus, obojene površine, itd.).
11. Ne stavljajte ništa na uređaj i ne pokrivajte ga. Ne ostavljajte uređaj u blizini ili u kontaktu sa zapaljivim tvarima. Postoji opasnost od požara. Ostavite prostor od najmanje 22 cm iznad uređaja i 15 cm sa strane za pravilnu cirkulaciju zraka. Nemojte koristiti uređaj unutar kuhinjskih elemenata ili drugog namještaja.
12. Aparat je dizajniran za proizvodnju leda. Koristite ga samo u skladu s uputama u ovom priručniku. Proizvođač nije odgovoran za štete nastale nepravilnim korištenjem ovog uređaja.
13. Ovaj proizvod namijenjen je za korištenje u kućanstvu, i kućanstvu sličnim prostorima, kao što su:
 - kuhinje u tvrtkama, uredima i u drugim sličnim radnim okruženjima;
 - prostorije koje su na raspolaganju gostima hotela, motela i drugih smještajnih objekata;
 - uređaji koji se koriste u objektima koji nude noćenje s doručkom;
 - uređaji koji se koriste u blagovaonicama i sličnim nekomercijalnim okruženjima.
- UPOZORENJE:** Uređaj nije namijenjen za profesionalnu uporabu.
14. **POZOR:** Koristite samo čistu, negaziranu vodu bez dodataka koji bi mogli oštetiti uređaj. Nemojte uključivati uređaj ako u posudi nema vode i nemojte prepuniti posudu. Razina vode mora biti između linija MIN i MAX.

15. **POZOR:** Ostavite uređaj da odstoji najmanje 1 sat prije nego što se rashladno sredstvo slegne prije prvog pokretanja, inače se kompresor može oštetiti.
16. Uređaj koristite i čuvajte samo u vodoravnom položaju. **NEMOJTE STAVLJATI NIŠTA NA UREĐAJ.**
17. Nakon transporta ili skladištenja u hladnim uslovima, uređaj treba da se ostavi najmanje 3 sata da mu se temperatura približi sobnoj.
18. Aparat se smije koristiti i čuvati samo na mjestima s temperaturom okoline između 10 i 38°C.
19. Redovito čistite uređaj i uvijek ga isključite i odspojite prije čišćenja.
20. Ne uranjajte tijelo uređaja u vodu prilikom čišćenja. Nemojte koristiti agresivna ili abrazivna sredstva, jer to može oštetiti uređaj. **POZOR:** Nemojte koristiti hlapljive ili zapaljive tvari - opasnost od eksplozije.
21. **UPOZORENJE:** Kako biste ubrzali odmrzavanje uređaja, nemojte koristiti nikakve mehaničke alate koje nije preporučio proizvođač i nemojte ulijevati vruću vodu u uređaj.
22. Ne dodirujte pokretne dijelove uređaja tijekom rada.
23. Nikada nemojte naginjati, pomicati ili pokušavati isprazniti spremnik za vodu dok je uređaj u radu!
24. Budite posebno pažljivi nalaze li se djeca u blizini dok koristite ovaj uređaj.
25. Ovaj uređaj ne smiju koristiti djeca. Uređaj i njegov kabel za napajanje držite izvan dohvata djece! Osobe smanjenih fizičkih ili umnih sposobnosti, te osobe s nedostatkom iskustva, smiju koristiti ovaj uređaj samo ako su pod nadzorom ili ako ih je iskusnija osoba uputila u korištenje na siguran način i razumiju sve opasnosti povezane s tim korištenjem. Djeca se ne smiju igrati ovim uređajem.
26. Uvijek isključite uređaj i iskopčajte ga iz struje ako:
 - uređaj ne radi ispravno,
 - ako uređaj ispušta neobičan miris ili dim,
 - prilikom sastavljanja uređaja,
 - ako dodate vodu u posudu i postavite je na svoje mjesto u aparatu,
 - prije održavanja,
 - ako ga više ne koristite.

27. **UPOZORENJE:** Ovaj proizvod sadrži rashladni plin R600a, koji je vrlo zapaljiv. Mora se osigurati da nijedan od dijelova kruga hlađenja nije oštećen. Dođe li do oštećenja, osigurajte da u prostoriji ne dođe do otvorenog plamena ili iskrenja i temeljito provjetrite.



POZOR: OPREZ, OPASNOST OD POŽARA!

Do not immerse in water! – Nemojte uranjati u vodu!

OPASNOSTI PO DJECU: Djeca se ne smiju igrati ambalažnim materijalom. Nemojte dopustiti djeci da se igraju plastičnim vrećicama. Postoji opasnost od gušenja.

KORIŠTENJE LEDOMATA

- Uklonite svu vanjsku i unutarnju ambalažu. Provjerite jesu li košara za led i lopatica za led uključeni u pakiranje. Ako neki dio ili pribor nedostaje, obratite se servisnom centru.
- Nemojte naginjati ledomat na više od 45° tijekom transporta ili upotrebe.
- Ne okrećite ledomat naopako jer kompresor ili rashladni sustav mogu prestati funkcionirati ispravno.
- Prilikom prenošenja ili transporta ledomata pričekajte da se tekućine u kompresoru stabiliziraju najmanje 2 sata prije nego što uređaj priključite na električnu mrežu. To će smanjiti mogućnost kvara sustava hlađenja zbog nepravilnog rukovanja.
- Nemojte prekrivati niti blokirati ventilacijske otvore uređaja.
- Otvorite gornji poklopac, izvadite košaru za led i ulijte vodu za piće (po mogućnosti pročišćenu ili destiliranu) u spremnik.

Pozor: Nemojte dodavati vodu iznad oznake MAX na stražnjoj strani spremnika za vodu.

- Ako se ledomat koristi prvi put ili nakon duljeg razdoblja nekorištenja, bacite kockice leda napravljene tijekom prva dva ciklusa.
- Za održavanje ispravnog rada, odvođenja topline, učinkovitosti i niske potrošnje energije, potrebno je imati dovoljno prostora za ventilaciju oko ledomata.
- Uključite aparat u utičnicu. Indikator napajanja (**B**) počinje treptati.
- Pritisnite glavni prekidač (**E**) na upravljačkoj ploči za pokretanje ciklusa proizvodnje leda. Indikator napajanja (**B**) će zasvijetliti.
- Pritisnite tipku **F** za odabir veličine kocke leda. Možete birati između 2 veličine - male ili velike.
- Ako je temperatura okoline ispod 15 °C, preporučamo da odaberete manju veličinu kako biste spriječili lijepljenje leda.
- Redovito provjeravajte razinu vode kada je ledomat uključen. Ako pumpa za vodu ne može ubrizgati vodu, ledomat će se automatski zaustaviti i zasvijetliti će kontrolna lampica **D**. Pritisnite glavni prekidač (**B**), napunite vodu do oznake razine i ponovno pritisnite glavni prekidač. Prije ponovnog pokretanja pričekajte 3 minute da se rashladno sredstvo slegne.
- Kada je posuda za led puna, kontrolna lampica **C** će svijetliti, i ledomat automatski zaustavlja ciklus proizvodnje leda. Pažljivo izvadite led iz košare za led pomoću lopatice za led. Nakon pražnjenja posude za led i zatvaranja poklopca, automatski se ponovno pokreće funkcija pravljenja leda.

Pozor: Izravna sunčeva svjetlost ili refleksija sunčeve svjetlosti mogu uzrokovati kvar infracrvenog senzora. Ako se uređaj ne zaustavi, kockice leda također mogu blokirati senzor. Odmaknite uređaj od izravnog sunčevog svjetla.

- Mijenjajte vodu u spremniku za vodu barem jednom dnevno kako biste osigurali odgovarajuću razinu higijene i čist led.
- Ako ledomat koristite dulje vrijeme, pumpa za vodu možda neće dobivati dovoljno vode zbog mjehurića zraka. U tom slučaju svijetli lampica indikatora za dodavanje vode (D). U tome slučaju morate ponovno pritisnuti prekidač za napajanje (E). Uređaj bi trebao početi normalno raditi.
- Ako ne koristite uređaj neko vrijeme, ispustite vodu iz spremnika i očistite spremnik.
- Ako kompresor prestane ispravno raditi zbog nedostatka vode, prevelike količine vode ili nestanka struje, trebat će otprilike 3 minute nakon ponovnog pokretanja prije nego što počne raditi.
- Uvijek koristite svježu vodu prije početka proizvodnje leda, bilo tijekom prve instalacije ili nakon duljeg zaustavljanja.

Napomena: Voda i temperatura okoline utječu na kapacitet proizvodnje kockica leda, niža temperatura vode i niža temperatura okoline znače veći kapacitet kocke leda i kraće vrijeme proizvodnje leda. Buka koju emitira pumpa za vodu tijekom proizvodnje leda je normalna.

OTKLANJANJE POTEŠKOĆA

Problem	Mogući uzrok	Preporučeno rješenje
Svijetli indikator dodavanja vode (D).	Nedostatak vode.	Zaustavite ledomat, napunite ga vodom i ponovno pokrenite uređaj ponovnim pritiskom na glavni prekidač.
	Senzor punjenja spremnika za led ne radi ispravno.	Obratite se servisnom centru.
Indikator dodavanja vode (D), svijetli iako je spremnik pun. Led se ne proizvodi.	Senzor punjenja spremnika za led ne radi ispravno.	Obratite se servisnom centru.
Svijetli Indikator punjenja spremnika za led (C).	Košara za led je puna.	Izvadite napravljeni led iz košare.
Indikator pune posude za led (C), svijetli, ali u njemu nema leda.	Senzor punjenja spremnika za led (odašiljač i prijemnik) prekriven je prljavštinom u vodi ili drugim tvarima.	Za čišćenje senzora punjenja spremnika za led koristite meku krpu namočenu u vodu. Nakon čišćenja provjerite radi li ledomat ponovno, ako to ne pomogne, obratite se servisnom centru.
	Senzor punjenja spremnika za led ne radi ispravno.	Obratite se servisnom centru.
Indikator napunjenosti spremnika za led (C) svijetli 3 sekunde i gasi se na 3 sekunde.	Lopatica za led je zaglavljena ili okretni mehanizam ne radi ispravno.	Provjerite da led ne blokira lopaticu za led, inače pritisnite glavni prekidač da isključite ledomat i nakon toga pritisnite ga ponovno da provjerite može li normalno proizvoditi led. Ako indikator punjenja spremnika za led (C) i dalje treperi, pritisnite glavni prekidač, isključite uređaj i obratite se servisnom centru.

Indikatori na zaslonu su isključeni.	Osigurači ili napajanje su isključeni, nema struje.	Zamijenite osigurače ili uključite napajanje.
Kockice leda su se zalijepile.	Ciklus proizvodnje leda je predug.	Zaustavite ledomat i ponovno ga pokrenite čim se nakupine leda otope. Odaberite male kockice leda.
	Temperatura vode u unutarnjem spremniku je preniska.	Promijenite vodu u spremniku. Koristite vodu temperature od 7-32 °C.
	Ostavljanje leda u uređaju dulje vrijeme može uzrokovati da uređaj reciklira led otapanjem i stvaranjem novog leda.	Prebacite pripremljeni led u drugu posudu i pohranite u hladnjak ili zamrzivač kako biste spriječili recikliranje.
Kocke leda se tope.	Ostavljanje leda u uređaju dulje vrijeme može uzrokovati da uređaj reciklira led otapanjem i stvaranjem novog leda. Aparat za led nije dizajniran za dugotrajno skladištenje leda. Ako se led ne koristi ili se redovito premješta u hladnjak ili zamrzivač, otapanje leda je normalno.	Nakon dužeg vremena gotovi led premjestite u drugu posudu i pohranite u hladnjak ili zamrzivač kako biste spriječili njegovo recikliranje.
Ciklus proizvodnje leda je normalan, ali led se ne proizvodi.	Temperatura okoline ili vode u unutarnjem spremniku je previsoka.	Uključujte ledomat na temperaturi nižoj od 32 °C i koristite hladnu vodu.
	Curenje rashladne tekućine.	Obratite se servisnom centru.
	Cjevovod sustava hlađenja je začepljen.	Obratite se servisnom centru.

ČIŠĆENJE I ODRŽAVANJE

- Redovito čistite ledomat, spremnik za vodu, lopaticu i isparivač.
- Prije održavanja isključite uređaj i odspojite ga iz struje.
- Uklonite kocke leda, premjestite aparat na sudoper ili iznad sudopera i uklonite čep za odvod s prednje donje strane. Ispustite preostalu vodu u sudoper.
- Izvadite košaru za led i operite je u toploj vodi.
- Nemojte koristiti mehanički alat za ubrzavanje procesa odmrzavanja.
- Očistite unutrašnjost razrijeđenim deterdžentom, toplom vodom i mekom krpom.
- Vanjski dio ledomata treba redovito čistiti blagom otopinom deterdženta i toplom vodom.
- Nemojte prskati kemikalije ili otapala, kao što su kiseline, benzin ili ulje po uređaju.
- Prije ponovnog uključivanja, očistite unutrašnjost i temeljito je isperite mekom krpom.
- Vratite natrag čep odvoda.

TEHNIČKI PODACI

Ukupna zapremina	2 l
Nazivni napon i frekvencija	220-240 ~ 50 Hz
Snaga	100-120 W
Struja	1.6A
Klasa zaštite od strujnog udara	I
Izolacijska pjena	CIKLOPENTAN
Rashladni medij	R600a/23g

OPORABA I ZBRINJAVANJE OTPADA

Papirni otpad i kartonsku ambalažu predajte u reciklažna dvorišta. Foliju za pakiranje, vrećice od polietilena i plastične dijelove odložite u kontejnere za plastiku.

ODLAGANJE PROIZVODA NAKON ISTEKA RADNOG VIJEKA

Odlaganje otpada električne i elektroničke opreme (primjenjivo u državama članicama EU i drugim europskim zemljama koje su uspostavile sustave razvrstavanja otpada)

Oznaka koja je navedena na proizvodu ili na ambalaži označava da se proizvod ne smije zbrinjavati kao kućni otpad. Proizvod odložite na mjesto određeno za recikliranje električne i elektroničke opreme. Ispravnim odlaganjem proizvoda sprječavate negativne utjecaje na zdravlje ljudi i okoliš. Reciklažom materijala pomažete očuvanje prirodnih resursa. Dodatne informacije o recikliranju ovog proizvoda pružit će vam lokalne vlasti, organizacija za preradu kućnog otpada ili prodajno mjesto na kojem ste kupili proizvod.



08/05



Ovaj proizvod je usklađen s direktivama EU o elektromagnetskoj kompatibilnosti i električnoj sigurnosti te po pitanju teških metala u električnoj i elektroničkoj opremi. Nadalje, udovoljava relevantnoj energetske učinkovitosti i zahtjevima za izravan kontakt s hranom.

Upute za uporabu dostupne su na web stranici www.ecg-electro.eu.

Pravo na izmjenu teksta i tehničkih parametara je pridržano.

BIZTONSÁGI ELŐÍRÁSOK

Olvassa el figyelmesen és a későbbi felhasználásokhoz is őrizze meg!

Figyelmeztetés! A jelen útmutatóban feltüntetett biztonsági előírások és utasítások nem tartalmazznak minden olyan feltételt és körülményt, amely a használat során bekövetkezhet. A felhasználónak meg kell értenie, hogy egyetlen termékbe sem lehet beépíteni a felhasználótól elvárható elővigyázatosságot és gondosságot. Ezekről a készüléket használó és kezelő felhasználóknak kell gondoskodniuk. Nem vállalunk felelősséget a készülék helytelen használatából, a hálózati feszültség-ingadozásokból, vagy a készülék bármilyen jellegű átalakításából és módosításából eredő károkért. A biztonsági utasítások be nem tartása személyi sérüléshez, anyagi károkhoz, tűzhez és/vagy áramütéshez vezethet.

A tüzek, áramütések és egyéb sérülések megelőzése érdekében, az elektromos készülékek használata során tartsa be az általános és az alábbiakban feltüntetett biztonsági utasításokat:

1. Mielőtt csatlakoztatná a készüléket a szabályszerűen leföldelt hálózati aljzathoz, győződjön meg arról, hogy a hálózati feszültség értéke megegyezik-e a készülék típuscímkéjén található tápfeszültség értékével. A fali aljzat feleljen meg a vonatkozó EN szabványok előírásainak.
2. Amennyiben a készüléket leejtette, vagy azt más sérülés érte, illetve ha a hálózati vezeték megsérült, vagy a készülék meghibásodott vagy nem működik megfelelő módon, akkor a készüléket bekapcsolni tilos. A készülék minden javítását, beleértve a hálózati kábel cseréjét is, bízza szakszervizre! A készülék védőburkolatát ne szerelje le, a feszültség alatt lévő alkatrészek áramütést okozhatnak!
3. A készüléket óvja víz és más folyadékok közvetlen hatásától, ellenkező esetben áramütés érheti, vagy tűz keletkezhet. A készüléket, a hálózati vezetéket és a csatlakozódugót vízbe mártani tilos!
4. A hálózati vezetéket tartsa távol a készülék kompresszorától.

5. A készüléket szabadban és párás helyen ne használja. A készüléket ne tegye ki közvetlen napsütés hatásának, azt ne állítsa hőforrások mellé. A hálózati vezetéket és a készüléket vizes vagy nedves kézzel ne fogja meg. Áramütés veszélye!
6. A tápvezeték csatlakozódugója legyen könnyen hozzáférhető. A hálózati vezetéket lerövidíteni vagy aljzatba dugott elosztóhoz, illetve hosszabbító vezetékhez csatlakoztatni tilos.
7. A készüléket önálló áramkörhöz csatlakoztassa. A hálózati vezeték nem érhet hozzá forró felületekhez, továbbá azt éles tárgyakra se helyezze rá. A hálózati vezeték nem lehet szőnyeg alatt, és nem lóghat le az asztalról vagy polcról.
8. A készüléket a hálózati vezeték bedugásával (kihúzásával) ne kapcsolja be (kapcsolja ki).
9. Amennyiben a készülékből szokatlan szag vagy füst áramlik ki, akkor a készüléket azonnal kapcsolja ki, és forduljon a márkaszervizhez.
10. A készüléket szilárd, vízszintes és stabil felületre állítsa fel. A készüléket ne tegye olyan felületekre, amelyek vízre érzékenyek (pl. lakkozott bútorra, nyers fára, bambuszra stb.).
11. A készüléket ne takarja le, és arra ne helyezzen rá semmit se. A készüléket gyúlékony anyagok közelében ne használja. Tűzveszély! A levegő szabad áramlása érdekében a készülék felett legalább 22 cm, a készülék oldalainál legalább 15 cm szabad helyet kell hagyni. A készüléket ne üzemeltesse konyhai vagy más bútorban.
12. A készülékkel jégkockákat lehet előállítani. A készüléket kizárólag csak a jelen útmutatóban leírtak szerint, az utasításokat betartva használja. A gyártó nem felel a készülék helytelen használata miatt bekövetkezett károkért.
13. A készüléket háztartásokban, illetve a következő helyeken lehet használni:
 - konyhák, irodai és egyéb munkahelyi kiskonyhák;
 - szállodai és motelszobák, munkásszállások konyhái,
 - turistaszállások és egyéb jellegű szállások,
 - étkezdék, kifőzdék és egyéb nem üzleti jellegű ételkiadók.

FIGYELMEZTETÉS! A készülék csak háztartásokban használható!

14. **FIGYELEM!** A készülékbe csak tiszta csapvizet töltsön be (szénsavas vagy édesítőszeret tartalmazó folyadékokat betölteni tilos). Ha nincs elegendő víz a tartályban, akkor a készüléket ne kapcsolja be. Ne töltsön túl a víztartályt. A vízszintnek a MAX és MIN jel között kell lennie.
15. **FIGYELEM!** A készülék első használatba vétele előtt hagyja a készüléket legalább 1 órán keresztül a használat helyén, hogy a hűtőközeg stabilizálódjon a rendszerben. Ellenkező esetben a készülék meghibásodhat.
16. A készüléket kizárólag csak vízszintes felületen, a lábakra felállítva használja és tárolja. A KÉSZÜLÉKET NE DÖNTSE MEG.
17. Szállítás vagy hideg helyen való tárolás után (a használatba vétel előtt) a készüléket legalább 3 óráig hagyja szobahőmérsékleten felmelegedni.
18. A készüléket csak olyan helyen tárolja és üzemeltesse, ahol a környezeti hőmérséklet 10 és 38°C között van.
19. A készüléket rendszeresen tisztítsa meg, a tisztítás megkezdése előtt a készüléket kapcsolja le és az elektromos hálózatról is válassza le.
20. A készüléket tisztítás közben ne merítse vízbe. A tisztításhoz ne használjon agresszív és karcoló tisztítószereket, mert ezek sérüléseket okozhatnak a tisztított felületekben. **FIGYELEM!** A tisztításhoz ne használjon illó vagy gyúlékony anyagokat, mert ezek robbanást vagy tüzet okozhatnak.
21. **FIGYELMEZTETÉS!** A kiolvasztáshoz és a jég eltávolításához csak a készülék gyártója által ajánlott eszközöket használja. A készülékbe ne öntsön meleg vizet.
22. Működés közben a mozgó alkatrészeket ne érintse meg.
23. Ha a készülék működik, akkor azt nem szabad megdönteni és áthelyezni, illetve abból a vizet is tilos kiönteni!
24. Legyen nagyon körültekintő, amikor a készüléket gyermekek közelében használja.
25. A készüléket gyerekek nem használhatják. A készüléket és a hálózati vezetékét tartsa távol a gyerekektől. A készüléket gyerekek, idős, testi és szellemi fogyatékos személyek, illetve a készülék használatát

nem ismerő és hasonló készülék üzemeltetéseinek a tapasztalataival nem rendelkező személyek csak a készülék használati utasítását ismerő és a készülék használatáért felelősséget vállaló személy felügyelete mellett használhatják. A készülék nem játék, azzal gyerekek nem játszhatnak.

26. A készüléket kapcsolja le és az elektromos hálózatról is válassza le, ha:

- a készülék nem működik megfelelően,
- a készülékből füst vagy égett szag áramlik ki,
- a készüléket össze- vagy szétszereli,
- a készülék tartályába vizet önt, a tartályt a készülékbe helyezi,
- a készüléket tisztítani kívánja,
- a készüléket már nem kívánja használni.

27. **FIGYELMEZTETÉS!** A készülék hűtőrendszerében R600a hűtőgáz található, amelyik rendkívül gyúlékony. A készülék telepítése, használata, tisztítása és karbantartása közben ügyeljen arra, hogy a hűtőkör ne sérüljön meg. Ha a hűtőkör megsérült, akkor a helyiségben nyílt lángot használni tilos, a helyiséget azonnal és alaposan szellőztesse ki.



FIGYELEM! TŰZVESZÉLY!

Do not immerse in water! – Vízbe meríteni tilos!

VESZÉLY GYEREKEKNEK! A csomagolóanyag nem játék, azt gyerekek elől elzárva tárolja. Műanyag zacskókkal a gyerekek nem játszhatnak! Fulladásveszély!

A JÉGKOCCA KÉSZÍTŐ HASZNÁLATA

- A készülékről és a készülékből, valamint a tartozékokról távolítson el minden csomagolóanyagot. Ellenőrizze le, hogy a jégkosár és a jéglapát is a tartozékok között van-e. Ha valamilyen alkatrész hiányzik, akkor azonnal forduljon a márkaszervizhez.
- Szállítás, tárolás és használat közben a készüléket 45°-nál jobban ne döntse meg.
- A készüléket fejre állítani tilos, mert a kompresszor és a hűtőrendszer meghibásodhat.
- Szállítás és mozgatás után a készüléket hagyja legalább 2 órán keresztül mozdulatlanul (a hűtőközeg stabilizálódásához), és csak ezt követően csatlakoztassa az elektromos hálózathoz. A nem rendeltetésszerű használat a készülék hűtőrendszerének a meghibásodását okozhatja.

- Ne takarja el a szellőzőnyílásokat.
- A fedelet nyissa ki, vegye ki a jégkosarat és a tartályba töltsön tiszta csapvizet (a vizet át is szűrheti).

Figyelmeztetés! A víztartály hátsó falán található MAX jelnél ne töltsön több vizet a víztartályba.

- Ha a készüléket először használja (vagy hosszabb ideig nem üzemeltette), akkor az első adag jeget dobja ki.
- A készülék megfelelő hűtési hatékonysága, a meleg levegő elvezetése és az energiatakarékosság érdekében, a készülék körül és felett hagyjon elegendő szabad helyet.
- Dugja a csatlakozódugót a fali aljzatba. A tápellátás kijelző (B) villogni kezd.
- A jégkocka készítéshez nyomja meg a főkapcsolót (E) a működtető panelen. A tápellátás kijelző (B) folyamatosan világít.
- Az F gomb megnyomásával állítsa be a kívánt jégkocka méretet. 2 méret közül választhat: kicsi és nagy jégkocka.
- Ha a környezeti hőmérséklet 15 °C-nál alacsonyabb, akkor a kicsi jégkockát állítsa be, ellenkező esetben a jégkockák összeragadhatnak.
- A készülék üzemeltetése közben rendszeresen ellenőrizze le a tartályban lévő víz mennyiségét. Amikor a szivattyú már nem tud vizet felszívni a tartályból, akkor a készülék automatikusan leáll és a D kijelző bekapcsol. Nyomja meg a főkapcsolót (B), töltsön vizet a víztartályba a (MAX jelig), majd ismét nyomja meg a főkapcsolót. A készülék ismételt bekapcsolásával várjon legalább 3 percet (a hűtőközeg stabilizálódásához).
- Amikor a jégkosár megtelik jéggel, akkor a C kijelző bekapcsol, a készülék automatikusan leáll. A jéglapáttal óvatosan vegye ki a jégkockákat a jégkosárból. A kosár ürítése és a fedél lezárása után a készülék automatikusan ismét bekapcsolja a jégkocka készítést.

Figyelmeztetés! Közvetlen erős fény vagy napsütés zavarhatja a készülék infravörös érzékelőjének a megfelelő működését. Ha a készülék nem áll le és folyamatosan adagolja a jeget, akkor ellenőrizze le a szenzort (az egy jégkocka is eltakarhatja). A készüléket tegye olyan helyre, ahol nem éri közvetlenül erős fény vagy napfény.

- Folyamatos használat esetén a víztartályba minden nap töltsön friss vizet (a megfelelő higiénia és a tiszta jég érdekében).
- Előfordulhat, hogy a szivattyú fals levegőt szív be (pl. vízbuborékokat), amit a vezérlőegység úgy értékel ki, hogy kevés a víz a tartályban. A vízbetöltés kijelző (D) bekapcsol. Ilyen esetben elegendő csak megnyomni a főkapcsolót (E). A készülék normál módon működik tovább.
- Ha a készüléket már nem kívánja használni, akkor a víztartályból engedje ki a vizet, és a tartályt tisztítsa ki.
- Ha a kompresszor vízhiány, áramkimaradás stb. miatt lekapcsolt, akkor a lekapcsolás okának a megszűnése után a készülék csak 3 perc múlva engedélyezi az ismételt bekapcsolást.
- A készülék bekapcsolása előtt (első használatba vételhez vagy hosszabb használati szünet után) a víztartályba töltsön tiszta vizet.

Megjegyzés: a betöltött víz hőmérséklete és a környezeti hőmérséklet hatással van a jégkocka készítésre. Hidegebb víz betöltése esetén, és hidegebb környezetben a készülék gyorsabban és több jégkockát állít elő. A jégkocka készítés közben hallható hang normális jelenség.

HIBAELHÁRÍTÁS

Probléma	Lehetséges ok	Ajánlott megoldások
Világít a vízbetöltés kijelző (D).	Kevés víz van a tartályban.	A készüléket kapcsolja le, a víztartályba töltsön vizet, majd a főkapcsoló megnyomásával indítsa el a jégkocka készítést.
	A megtelt jégtartály szenzor nem működik megfelelő módon.	Forduljon a márkaszervizhez.

A vízbetöltés kijelző (D) világít, de a tartályban van elegendő víz. A készülék nem állít elő jeget.	A megtelt jégtartály szenzor nem működik megfelelő módon.	Forduljon a márkaszervizhez.
A megtelt jégtartály kijelző (C) világít.	A kosár megtelt jéggel.	Szedje ki a kosárból a jégkockákat.
A megtelt jégtartály kijelző (C) világít, de a kosárban nincs jégkocka.	A megtelt jégtartály szenzor (adó és vevő) elszennyeződött (a vízben található szennyeződésektől).	A szenzort benedvesített puha ruhával törölje meg. A tisztítás után ellenőrizze le a szenzor megfelelő működését. Ha a tisztítás nem oldotta meg a problémát, akkor vegye fel a kapcsolatot a márkaszervizzel.
	A megtelt jégtartály szenzor nem működik megfelelő módon.	Forduljon a márkaszervizhez.
A megtelt jégtartály kijelző (C) 3 másodpercig világít és 3 másodpercig kikapcsol.	A jéglapát vagy a forgató mechanizmus leblokkolt.	Ellenőrizze le, hogy a jéglapátot nem blokkolja-e jég. A főkapcsolóval kapcsolja ki és be a készüléket, ellenőrizze le, hogy a készülék készít-e jégkockát. Ha a megtelt jégtartály kijelző (C) folyamatosan villog, akkor a főkapcsolóval kapcsolja le a készüléket és forduljon a márkaszervizhez.
A tápellátás kijelző nem világít.	Nincs áram, vagy a kismegszakító lekapcsol.	Várja meg az áramellátás helyreállítását, vagy kapcsolja be a kismegszakítót.
A jégkockák egymáshoz ragadtak.	A jégkocka készítés ideje túl hosszú.	A készüléket kapcsolja le és a jég elolvadása után ismét kapcsolja be. Állítson be kicsi jégkocka méretet.
	A víz a tartályban túl hideg.	Töltsön be friss vizet. A tartályba 7 és 32 °C közötti hőmérsékletű vizet lehet betölteni.
	Ha a jeget hosszabb ideig a készülékben hagyja, akkor a készülék előbb megvárja a jégkockák elolvadását, majd újabb jégkocka adagot készít.	A kész jeget szedje ki a készülékből és tegye a hűtőszekrénybe vagy a fagyaszttóba.
A jégkockák megolvadnak.	Ha a jeget hosszabb ideig a készülékben hagyja, akkor a készülék előbb megvárja a jégkockák elolvadását, majd újabb jégkocka adagot készít. A készülékben nem lehet hosszú ideig tárolni a jeget. Ha a jeget nem szedi ki a készülékből (és nem használja fel vagy nem teszi a fagyaszttóba), akkor a készülékben hagyott jég egy idő után megolvad (ez normális jelenség).	Ha hosszabb ideig nem kívánja felhasználni a jégkockákat, akkor a kosárból szedje ki és tegye a mélyhűtőbe (ellenkező esetben a jégkocka elolvad).

A készülék láthatólag működik, de nem készít jeget.	A betöltött víz túl meleg, vagy a készülék környezete túl meleg.	A készülékbe hideg vizet töltsön be és a környezeti hőmérséklet ne legyen 32°C-nál magasabb.
	Hűtőközeg szivárgás.	Forduljon a márkaszervizhez.
	A hűtőrendszer nem működik.	Forduljon a márkaszervizhez.

TISZTÍTÁS ÉS KARBANTARTÁS

- A készüléket, a víztartályt, a jéglapátot és a párologtatót rendszeresen tisztítsa meg.
- A tisztítás megkezdése előtt a készüléket kapcsolja le és a hálózati vezetéket húzza ki a fal aljzatból.
- Szedje ki a jégkockákat, a készüléket vigye mosogató fölé és a készülék alján található dugót húzza ki. A tartályból engedje ki az összes vizet.
- A jégkosarat vegye ki és meleg vízben mosogassa el.
- A jég eltávolításához mechanikus eszközöket (pl. kaparót) ne használjon.
- A készülék belső részét mosogatószeres meleg vízzel és puha ruhával tisztítsa meg.
- A készülék külső felületeit mosogatószeres vízbe mártottpuha ruhával törölje meg.
- A tisztításhoz vegyi anyagokat, oldószereket, savakat, benzint és olajokat használni tilos.
- Az ismételt bekapcsolás előtt a tartályt vízzel alaposan öblítse ki, a külső felületeket törölje szárazra.
- A készülék ajlán a leeresztő dugót dugja vissza a furatba.

MŰSZAKI ADATOK

Teljes térfogat	2 l
Névleges feszültség / frekvencia	220-240 V ~ 50 / Hz
Teljesítményfelvétel	100-120 W
Áram	1,6 A
Érintésvédelmi osztály	I
Hőszigetelő anyag	Ciklopentán
Hűtőközeg	R600a/23g
Klímaosztály	SN/N/ST/T

A HULLADÉKOK MEGSEMMISÍTÉSE

A papírt és a hullámpapírt dobja a papírgyűjtő konténerbe. A műanyag fóliákat, PE zacskót és egyéb műanyag csomagolóanyagokat a műanyag gyűjtő konténerbe dobja ki.

A TERMÉK MEGSEMMISÍTÉSE AZ ÉLETTARTAMA VÉGÉN

Az elektromos és elektronikus hulladékok kezelésére vonatkozó információk (érvényes az EU tagországokban és a hulladékok szelektálását előíró országokban)

A terméken, vagy a termék csomagolóanyagán feltüntetett jel azt jelenti, hogy az elektromos és elektronikus készüléket a háztartási hulladékok közé kidobni tilos. A terméket az elektromos és elektronikus hulladékok gyűjtésére kijelölt hulladékgyűjtő helyen kell leadni újrahasznosításhoz. Az elhasználot termék előírászerű újrafeldolgozásával Ön is hozzájárul a környezetünk védelméhez. A hulladékok megfelelő újrahasznosítása fontos szerepet játszik a természeti erőforrások kímélésében. A termék hulladékgyűjtőbe való leadásáról, és az anyagok újrahasznosításáról további információkat a polgármesteri hivatalban, a hulladékgyűjtő helyen, vagy a termék eladási helyén kaphat.



08/05

Ez a termék megfelel a kisfeszültségű berendezések biztonságára és az elektromágneses kompatibilitásra vonatkozó EU irányelveknek. A termék megfelel az elektromos készülékek nehézfém tartalmára vonatkozó követelményeknek is. A készülék megfelel a vonatkozó energiahatékonysági előírásoknak, valamint az élelmiszerekkel közvetlenül kapcsolatba kerülő termékekre vonatkozó előírásoknak.



A használati útmutatót a www.ecg-electro.eu honlapról töltheti le. A szöveg és a műszaki paraméterek megváltoztatásának a joga fenntartva.

INSTRUKCJE BEZPIECZEŃSTWA

Należy uważnie przeczytać i zachować do wglądu!

Uwaga: Wskazówki i środki bezpieczeństwa w niniejszej instrukcji nie obejmują wszystkich warunków i sytuacji, mogących spowodować zagrożenie. Najważniejszym czynnikiem odpowiadającym za bezpieczne korzystanie z urządzeń elektrycznych jest ostrożność i zdrowy rozsądek. Należy mieć to na uwadze w trakcie obsługi urządzenia. Nie ponosimy odpowiedzialności za szkody powstałe podczas transportu, na skutek nieprawidłowego użytkowania, wahań napięcia oraz zmiany lub modyfikacji którejkolwiek części urządzenia. Niezachowanie środków bezpieczeństwa może spowodować obrażenia, uszkodzenie mienia lub porażenie prądem elektrycznym.

Aby zapobiec wzniesieniu ognia lub porażeniu prądem elektrycznym, korzystając z urządzeń elektrycznych należy przestrzegać podstawowych zasad bezpieczeństwa, m.in.:

1. Upewnij się, że napięcie w sieci odpowiada napięciu podanemu na naklejce na urządzeniu, a gniazdko jest odpowiednio uziemione. Gniazdko musi być zainstalowane zgodnie z obowiązującymi przepisami zgodnymi z normą EN.
2. Nie należy używać urządzenia, jeżeli uszkodzony jest kabel, jeśli urządzenie nie działa prawidłowo lub jest uszkodzone, jeżeli urządzenie upadło lub zostało uszkodzone w inny sposób. Wszelkie naprawy i regulacje, w tym wymianę przewodu zasilającego, należy zlecić w profesjonalnym serwisie! Nie zdejmuj osłon urządzenia, mogłoby to spowodować porażenie prądem elektrycznym!
3. Aby zapobiec porażeniu prądem elektrycznym i uniknąć pożaru, należy chronić urządzenie przed bezpośrednim kontaktem z wodą i innymi cieczami. Nie zanurzaj urządzenia, przewodu zasilającego ani wtyczki w wodzie!
4. Aby uniknąć uszkodzenia kabla, upewnij się, że nie znajduje się on w pobliżu lub nie dotyka kompresora urządzenia.
5. Nie używaj urządzenia na zewnątrz lub w miejscach o wysokiej wilgotności. Nie wystawiaj urządzenia na działanie światła

- słonecznego i nie umieszczaj w pobliżu urządzeń grzewczych. Nie należy dotykać przewodu zasilającego ani urządzenia mokrymi rękami. Mogłoby to spowodować porażenie prądem elektrycznym.
6. Wtyczka przewodu zasilania musi być łatwo dostępna. Nie należy skracać kabla ani stosować rozgałęźników w gniazdkach elektrycznych lub przedłużaczy.
 7. Urządzenie musi być podłączone do gniazdka oddzielnie. Przewód zasilania nie może dotykać rozgrzanych elementów, ostrych krawędzi, nie może leżeć pod dywanem ani zwisać z półki lub blatu stołu.
 8. Urządzenia nie należy włączać ani wyłączać podłączając lub odłączając wtyczkę od źródła zasilania.
 9. Jeżeli z urządzenia wydobywa się dym lub dziwny zapach, należy je natychmiast wyłączyć i zanieść do punktu serwisowego.
 10. Zawsze stawiaj urządzenie na twardej, równej powierzchni. Nigdy nie stawiaj urządzenia na powierzchni, którą mogłaby uszkodzić woda lub wilgoć (np. drewno, bambus, malowane powierzchnie itp.).
 11. Nie kładź niczego na urządzeniu ani nie przykrywaj go. Nie pozostawiaj urządzenia w pobliżu lub w kontakcie z substancjami łatwopalnymi. Istnieje ryzyko pożaru. Aby zapewnić prawidłową cyrkulację powietrza, należy pozostawić minimum 22 cm nad urządzeniem i 15 cm wolnej przestrzeni po bokach urządzenia. Nie używaj urządzenia wewnątrz mebli kuchennych lub innych mebli.
 12. Urządzenie jest przeznaczone do wytwarzania lodu. Używaj go wyłącznie zgodnie z instrukcjami zawartymi w niniejszej instrukcji. Producent nie ponosi odpowiedzialności za szkody powstałe na skutek nieprawidłowego stosowania urządzenia.
 13. Urządzenie przeznaczone jest do użytku domowego oraz w podobny sposób, jako np.:
 - urządzenia w aneksach kuchennych w biurach i pozostałych miejscach pracy;
 - urządzenia używane przez gości w hotelach, motelach itp.;

- urządzenia używane w pensjonatach, oferujących nocleg ze śniadaniem;
- urządzenia stosowane w gastronomii i podobnych środowiskach pozasprzedazowych.

UWAGA: To urządzenie nie jest przeznaczone do użytku profesjonalnego.

14. **OSTRZEŻENIE:** Używaj tylko czystej, pitnej, niegazowanej wody bez dodatków, które mogą uszkodzić urządzenie. Nie włączaj urządzenia, jeżeli w pojemniku nie ma wody i nie przepelniaj pojemnika. Poziom wody musi znajdować się pomiędzy oznaczeniami MIN i MAX.
15. **OSTRZEŻENIE:** Przed pierwszym uruchomieniem należy odstawić urządzenie na co najmniej 1 godzinę, aby umożliwić osadzenie się czynnika chłodniczego, w przeciwnym razie może dojść do uszkodzenia kompresora.
16. Urządzenie należy użytkować i przechowywać wyłącznie w pozycji poziomej. **NIE PRZECHYLAJ URZĄDZENIA.**
17. W wypadku transportu lub magazynowania w niskiej temperaturze należy pozostawić urządzenie przez co najmniej 3 godziny w temperaturze pokojowej w celu aklimatyzacji.
18. Urządzenie może być eksploatowane i przechowywane wyłącznie w miejscach o temperaturze otoczenia pomiędzy 10-38°C.
19. Urządzenie należy regularnie czyścić, a przed czyszczeniem należy je wyłączać i odłączać od sieci.
20. Podczas czyszczenia nie zanurzaj korpusu urządzenia w wodzie. Nie używaj żadnych agresywnych lub ściernych środków, ponieważ mogą one uszkodzić urządzenie. **OSTRZEŻENIE:** Nie używaj żadnych lotnych lub łatwopalnych substancji – istnieje ryzyko wybuchu.
21. **UWAGA:** Aby przyspieszyć rozmrażanie produktu, nie używaj żadnych narzędzi mechanicznych niezalecanych przez producenta ani nie wlewaj gorącej wody do urządzenia.
22. Nie dotykaj żadnych ruchomych części urządzenia podczas pracy.
23. Nigdy nie przechylaj, nie przesuwaj ani nie próbuj opróżnić zbiornika na wodę podczas pracy urządzenia!

24. Należy zachować szczególną ostrożność, jeżeli w pobliżu urządzenia przebywają dzieci.
25. Urządzenie nie może być używane przez dzieci. Trzymaj urządzenie i jego przewód zasilający w miejscu niedostępnym dla dzieci. Urządzenie może być używane przez osoby o ograniczonej sprawności fizycznej lub umysłowej, bądź o niedostatecznym doświadczeniu i wiedzy, jeżeli są pod nadzorem lub zostały pouczone odnośnie użytkowania urządzenia w sposób bezpieczny i rozumieją potencjalne zagrożenia. Dzieci nie mogą bawić się urządzeniem.
26. Zawsze wyłączaj urządzenie i odłączaj je od sieci, jeżeli:
- urządzenie nie działa prawidłowo,
 - jeżeli z urządzenia wydobywa się nietypowy zapach lub dym,
 - przy montażu urządzenia,
 - jeżeli napełniasz ponownie zbiornik na wodę i umieszczasz go na swoim miejscu w urządzeniu,
 - przed czynnościami konserwacyjnymi,
 - jeżeli urządzenie nie będzie już używane.
27. **UWAGA:** Ten produkt zawiera czynnik chłodniczy R600a, który jest wysoce łatwopalny. Należy uważać, aby nie uszkodzić żadnej części obiegu chłodniczego. W przypadku uszkodzenia należy zapobiegać spalaniu i odpowiednio wentylować pomieszczenie, w którym znajduje się urządzenie.



OSTRZEŻENIE: UWAGA, RYZYKO POŻARU!

Do not immerse in water! – Nie zanurzaj w wodzie!

NIEBEZPIECZEŃSTWO DLA DZIECI: Dzieci nie powinny bawić się materiałami opakowaniowymi. Nie pozwalaj dzieciom bawić się torbami plastikowymi. Niebezpieczeństwo uduszenia.

UŻYTKOWANIE WYTWORNICY LODU

- Usuń wszystkie opakowania zewnętrzne i wewnętrzne. Sprawdź, czy koszyk na lód i łopatka do lodu znajdują się w zestawie. W przypadku braku jakiegokolwiek części lub akcesorium należy skontaktować się z centrum serwisowym.
- Nie przechylaj wytwornicy lodu o więcej niż 45° podczas transportu lub użytkowania.
- Nie odwracaj wytwornicy lodu do góry nogami, w przeciwnym razie może dojść do awarii kompresora lub układu chłodzenia.
- Podczas przenoszenia lub transportu wytwornicy lodu przed podłączeniem urządzenia do sieci elektrycznej należy odczekać co najmniej 2 godziny, aż płyny w kompresorze opadną. Zmniejszy to prawdopodobieństwo awarii układu chłodzenia spowodowanej niewłaściwą obsługą.
- Nie zasłaniaj ani nie blokuj otworów wentylacyjnych urządzenia.
- Otwórz górną pokrywę, wyjmij koszyk na lód i wlej do zbiornika wodę pitną (najlepiej oczyszczoną lub destylowaną).

Uwaga: Nie napełniaj wodą powyżej znaku MAX znajdującego się z tyłu zbiornika wody.

- Jeśli wytwornica lodu jest używana po raz pierwszy lub po dłuższym okresie nieużywania, należy wyrzucić kostki lodu wytworzone podczas dwóch pierwszych cykli.
- Odpowiednia przestrzeń wentylacyjna wokół wytwornicy lodu jest niezbędna do utrzymania właściwej wydajności, rozpraszania ciepła, sprawności i niskiego zużycia energii.
- Podłącz urządzenie do gniazdka sieciowego. Wskaźnik zasilania (**B**) zacznie migać.
- Naciśnij główny wyłącznik (**E**) na panelu sterowania, aby rozpocząć cykl wytwarzania lodu. Wskaźnik zasilania (**B**) zaświeci się.
- Naciśnij przycisk **F**, aby wybrać rozmiar kostki lodu. Możesz wybrać jeden z dwóch rozmiarów – mały lub duży.
- Jeżeli temperatura otoczenia jest niższa niż 15 °C, zalecamy wybór mniejszego rozmiaru, aby zapobiec przywieraniu lodu.
- Gdy wytwornica lodu jest włączona, należy regularnie sprawdzać poziom wody. Jeżeli pompa wodna nie może wciągnąć wody, wytwornica lodu zatrzyma się automatycznie i zapali się lampka kontrolna **D**. Naciśnij główny wyłącznik (**B**), napełnij wodą do znaku poziomu i ponownie naciśnij główny wyłącznik. Przed ponownym uruchomieniem należy odczekać 3 minuty, aby czynnik chłodniczy opadł.
- Gdy pojemnik na lód jest pełny, zapali się lampka kontrolna **C** i wytwornica lodu automatycznie zatrzyma cykl wytwarzania lodu. Ostrożnie wyjmij lód z pojemnika na lód za pomocą łyżki do lodu. Po opróżnieniu pojemnika na lód i zamknięciu pokrywy funkcja wytwarzania lodu zostanie automatycznie wznowiona.

Uwaga: Bezpośrednie światło słoneczne lub odbicie światła słonecznego może spowodować nieprawidłowe działanie czujnika podczerwieni. Kostki lodu mogą również zablokować czujnik, jeżeli urządzenie nie zostanie zatrzymane. Przenieś urządzenie w miejsce, do którego nie docierają promienie słoneczne.

- Wymieniaj wodę w zbiorniku na wodę co najmniej raz dziennie, aby zapewnić odpowiedni poziom higieny i czystego lodu.
- W przypadku używania wytwornicy lodu przez dłuższy czas, pompa wodna może nie dostarczać wystarczającej ilości wody z powodu pęcherzyków powietrza. W tym przypadku zaświeci się wskaźnik uzupełniania wody (**D**). W tym momencie należy ponownie nacisnąć wyłącznik główny (**E**). Urządzenie powinno zacząć normalnie pracować.
- Jeżeli nie używasz urządzenia przez jakiś czas, spuść wodę ze zbiornika i wyczyść go.
- Jeśli kompresor przestanie działać prawidłowo z powodu braku wody, nadmiaru wody lub awarii zasilania, po ponownym uruchomieniu będzie potrzebował około 3 minut, aby ponownie rozpocząć pracę.
- Zawsze używaj świeżej wody przed rozpoczęciem wytwarzania lodu, zarówno przy pierwszej instalacji, jak i po dłuższym przestoju.

Uwaga: Zarówno temperatura wody jak i otoczenia ma wpływ na ilość wytwarzanych kostek lodu, niższa temperatura wody i otoczenia oznacza większą ilość kostek lodu i krótszy czas ich wytwarzania. Hałas wytwarzany przez pompę wodną podczas wytwarzania lodu jest normalny.

ROZWIĄZYWANIE PROBLEMÓW

Problem	Możliwa przyczyna	Zalecane rozwiązanie
Wskaźnik dodawania wody (D) świeci się.	Za mało wody.	Zatrzymaj wytwornicę lodu, napełnij ją wodą i ponownie uruchom, naciskając główny wyłącznik.
	Czujnik napełnienia wytwornicy lodu nie działa prawidłowo.	Skontaktuj się z centrum serwisowym.
Wskaźnik uzupełnienia wody (D) świeci się, mimo że zbiornik wody jest pełny. Lód nie jest wytwarzany.	Czujnik napełnienia pojemnika na lód nie działa prawidłowo.	Skontaktuj się z centrum serwisowym.
Wskaźnik napełnienia zbiornika lodu (C) świeci się.	Koszyk na lód jest pełny.	Wymij wytworzony lód z kosza.
Wskaźnik napełnienia pojemnika na lód (C) świeci się, ale w pojemniku nie ma lodu.	Czujnik napełnienia pojemnika na lód (nadajnik i odbiornik) jest pokryty brudem zawartym w wodzie lub innymi zanieczyszczeniami.	Do czyszczenia czujnika napełnienia pojemnika na lód należy używać miękkiej ściereczki nasączonej wodą. Po wyczyszczeniu sprawdź, czy wytwornica lodu znów działa, jeżeli to nie pomoże, skontaktuj się z centrum serwisowym.
	Czujnik napełnienia pojemnika na lód nie działa prawidłowo.	Skontaktuj się z centrum serwisowym.
Wskaźnik napełnienia pojemnika na lód (C) zaświeci się na 3 sekundy i zgaśnie na 3 sekundy.	Łopatka do lodu utknęła lub mechanizm obrotowy nie działa prawidłowo.	Sprawdź, czy lód nie blokuje łopatki do lodu - jeżeli tak się stanie, to naciśnij główny wyłącznik, aby wyłączyć wytwornicę lodu i naciśnij go ponownie, aby sprawdzić, czy urządzenie może normalnie produkować lód. Jeżeli wskaźnik napełnienia zasobnika wytwornicy lodu (C) nadal miga, naciśnij wyłącznik główny, wyłącz urządzenie i skontaktuj się z centrum serwisowym.
Wskaźniki na wyświetlaczu nie świecą się.	Bezpieczniki lub zasilanie są wyłączone, nie ma prądu.	Wymień bezpieczniki lub włącz zasilanie.
Kostki lodu skleiły się ze sobą.	Cykl wytwarzania lodu jest zbyt długi.	Zatrzymaj wytwornicę lodu i ponownie ją uruchom, gdy bloki lodu się roztopią. Wybierz niewielki rozmiar kostek lodu.
	Temperatura wody w zbiorniku wewnętrznym jest zbyt niska.	Wymień wodę w zbiorniku. Stosuj wodę o temperaturze 7–32 °C.
	Pozostawienie lodu w urządzeniu przez dłuższy okres czasu może spowodować, że urządzenie zacznie przetwarzać lód, topiąc go i wytwarzając nową partię.	Przenieś przygotowany lód do innego pojemnika i przechowuj w lodówce lub zamrażarce, aby zapobiec recyklingowi.

Kostki lodu topią się.	Pozostawienie lodu w urządzeniu przez dłuższy okres czasu może spowodować, że urządzenie zacznie przetwarzać lód, topiąc go i wytwarzając nową partię. Wytwornica lodu nie jest przeznaczona do długotrwałego przechowywania lodu. Jeżeli lód nie jest używany lub przenoszony do chłodziarki lub zamrażarki regularnie, topnienie lodu jest normalne.	Po dłuższym okresie czasu przenieś gotowy lód do innego pojemnika i przechowuj go w chłodziarce lub zamrażarce, aby zapobiec recyklingowi.
Cykl tworzenia lodu przebiega normalnie, ale lód nie jest produkowany.	Temperatura otoczenia lub temperatura wody w zbiorniku wewnętrznym jest zbyt wysoka.	Eksploataj wytwornicę lodu w temperaturze poniżej 32 °C i używaj zimnej wody.
	Wyciek płynu chłodzącego.	Skontaktuj się z centrum serwisowym.
	Układ chłodniczy jest zatkany.	Skontaktuj się z centrum serwisowym.

CZYSZCZENIE I KONSERWACJA

- Należy regularnie czyścić wytwornicę lodu, zbiornik na wodę, łopatkę i parownik.
- Przed rozpoczęciem prac konserwacyjnych należy wyłączyć urządzenie i odłączyć je od sieci zasilającej.
- Wyjmij kostki lodu, przenieś urządzenie do zlewu lub nad zlew i wyjmij korek spustowy z przedniej dolnej części urządzenia. Spuść pozostałą wodę do zlewu.
- Wyjmij pojemnik na lód i umyj go w ciepłej wodzie.
- Nie należy używać żadnych narzędzi mechanicznych w celu przyspieszenia procesu rozmrażania.
- Wyczyść wnętrze za pomocą rozcieńczonego detergentu, ciepłej wody i miękkiej szmatki.
- Zewnętrzna stronę wytwornicy lodu należy regularnie czyścić łagodnym roztworem detergentu i ciepłą wodą.
- Nie należy rozpylać na urządzenie środków chemicznych lub rozpuszczalników, takich jak kwasy, benzyna lub olej.
- Przed ponownym włączeniem wyczyść wnętrze i dokładnie je zmyj miękką ściereczką.
- Załóż ponownie korek spustowy.

DANE TECHNICZNE

Całkowita objętość	2 l
Napięcie znamionowe a częstotliwość	220-240 ~ 50 Hz
Pobór mocy	100-120 W
Prąd	1.6A
Klasa ochrony przed porażeniem prądem elektrycznym	I
Pianka izolacyjna	CYKLOPENTAN
Chłodziwo	R600a/23g
Klasa klimatyczna	SN/N/ST/T

LIKWIDACJA ODPADÓW

Papier pakowy i tektura falista – oddaj do recyklingu. Folia do pakowania, worki PE, części plastikowe — do pojemników do zbierania tworzyw sztucznych.

LIKWIDACJA PRODUKTU PO SKOŃCZENIU OKRESU UŻYTKOWANIA

Utylizacja zużytego sprzętu elektrycznego i elektronicznego (dotyczy krajów Unii Europejskiej oraz innych krajów europejskich, które wdrożyły system segregacji odpadów)

Symbol na produkcie lub opakowaniu oznacza, że produkt nie powinien być traktowany jako odpad komunalny. Produkt należy przekazać do miejsca zajmującego się utylizacją sprzętu elektrycznego i elektronicznego. Prawidłowa utylizacja produktu chroni przed negatywnym wpływem na ludzkie zdrowie i środowisko naturalne. Recykling materiałów pomaga w zachowaniu surowców naturalnych. Szczegółowe informacje o utylizacji produktu zapewni urząd gminy, organizacje zajmujące się utylizacją odpadów komunalnych lub punkt sprzedaży, w którym produkt został zakupiony.



08/05

Ten produkt jest zgodny z wymogami dyrektyw UE dotyczących kompatybilności elektromagnetycznej i bezpieczeństwa elektrycznego oraz kwestii metali ciężkich w sprzęcie elektrycznym i elektronicznym. Ponadto spełnia odpowiednie wymagania dotyczące energochłonności oraz wymagania sanitarne związane z bezpośrednim kontaktem z żywnością.



Instrukcja obsługi jest dostępna na stronie internetowej www.ecg-electro.eu.
Zmiana tekstu i parametrów technicznych zastrzeżona.

Polski

INSTRUCȚIUNI PRIVIND SIGURANȚA

Citiți cu atenție și păstrați pentru utilizare ulterioară!

Avertizare: Măsurile și instrucțiunile privind siguranța conținute în acest manual nu includ toate condițiile și situațiile posibile. Utilizatorul trebuie să înțeleagă faptul că bunul simț, prudența și atenția sunt factori care nu pot fi integrați în niciun produs. Prin urmare, acești factori trebuie asigurați de către utilizatorul(ii) care utilizează și operează acest aparat. Nu suntem responsabili pentru pagubele cauzate în timpul transportului, de utilizarea incorectă, de fluctuațiile de tensiune sau de modificarea sau reglarea oricărei componente a aparatului. Nerespectarea instrucțiunilor de siguranță poate avea ca rezultat vătămarea personală, deteriorarea bunurilor, incendiul sau electrocutarea.

Pentru a vă proteja împotriva riscului de incendiu sau electrocutare, trebuie luate măsuri de precauție de bază în timpul utilizării aparatelor electrice, inclusiv următoarele:

1. Asigurați-vă că tensiunea de la priza dumneavoastră corespunde tensiunii menționate pe eticheta aparatului și că priza este împământată corect. Priza trebuie să fie instalată în conformitate cu codurile electrice aplicabile conforme cu EN.
2. Nu utilizați niciodată aparatul în cazul în care cablul de alimentare este deteriorat, dacă aparatul nu funcționează corespunzător sau dacă este defect, a căzut sau este deteriorat în alt mod. Toate reparațiile sau ajustările, inclusiv înlocuirile cablurilor, trebuie efectuate la un centru de service profesionist! Nu îndepărtați capacele de protecție de la aparat; există un risc de electrocutare!
3. Protejați aparatul împotriva contactului direct cu apa sau cu alte lichide pentru a preveni vătămarea cauzată de electrocutare sau incendiu. Nu scufundați aparatul, cablul de alimentare sau fișa în apă!
4. Pentru a preveni deteriorarea cablului, asigurați-vă că nu se apropie de și nu atinge compresorul aparatului.

5. Nu utilizați aparatul în exterior sau în zone cu umiditate ridicată. Nu expuneți unitatea la lumina directă a soarelui și nu îl amplasați lângă dispozitive de încălzire. Nu atingeți cablul de alimentare sau aparatul cu mâinile umede. Risc de electrocutare.
6. Cablul de alimentare trebuie să fie ușor accesibil. Nu scurtați cablul și nu utilizați multi-prize sau prelungitoare.
7. Aparatul trebuie conectat separat. Cablul nu trebuie să atingă componentele fierbinți, nu trebuie să fie trecut peste margini ascuțite, nu trebuie să fie întins sub covor sau să atârne de pe raft sau de pe masă.
8. Nu porniți și nu opriți aparatul prin conectarea și deconectarea cablului de alimentare.
9. Dacă aparatul emite un miros neobișnuit sau fum, deconectați imediat aparatul și mergeți cu aparatul la un centru de service autorizat.
10. Amplasați întotdeauna aparatul pe o suprafață solidă și plană. Nu îl amplasați niciodată pe o suprafață care ar putea fi deteriorată de apă sau umezeală (de exemplu lemn, bambus, suprafețe lăcuite etc.).
11. Nu puneți nimic pe aparat și nu îl acoperiți. Nu lăsați aparatul în apropiere de sau în contact cu substanțe inflamabile. Există risc de incendiu. Lăsați un spațiu de cel puțin 22 cm deasupra aparatului și 15 cm în lateral pentru o circulație adecvată a aerului. Nu utilizați aparatul în interiorul dulapurilor de bucătărie sau al altor piese mobilier.
12. Aparatul este conceput pentru a produce gheață. Utilizați-l numai în conformitate cu instrucțiunile din acest manual. Producătorul nu este responsabil pentru nicio daună cauzată de utilizarea necorespunzătoare a acestui aparat.
13. Acest aparat este destinat utilizării în mediul casnic și în zone similare precum:
 - bucătării de colț în magazine, birouri și alte locuri de muncă;
 - aparate utilizate de oaspeții din hoteluri, moteluri și alte clădiri rezidențiale;

- aparate utilizate în instituții de cazare;
- aparate utilizate în activități de catering și medii non-vânzări similare.

AVERTIZARE: Acest produs nu este conceput pentru utilizare comercială.

- AVERTIZARE:** Utilizați numai apă potabilă curată, plată, fără aditivi care ar putea deteriora aparatul. Nu porniți aparatul dacă nu există apă în recipient și, în același timp, nu umpleți excesiv recipientul. Nivelul apei trebuie să se afle între liniile MAX și MIN.
- AVERTIZARE:** Lăsați aparatul să stea cel puțin 1 oră înainte ca agentul frigorific să se stabilizeze înainte de prima utilizare; în caz contrar, compresorul poate fi deteriorat.
- Utilizați și depozitați aparatul numai în poziție orizontală. **NU ÎL RĂSTURNAȚI.**
- După transportul sau depozitarea în condiții de frig, aparatul trebuie lăsat să se aclimatizeze la temperatura camerei timp de cel puțin 3 ore.
- Aparatul poate fi utilizat și depozitat numai în locuri cu o temperatură ambiantă cuprinsă între 10 °C și 38 °C.
- Curățați aparatul în mod regulat și întotdeauna opriți-l și scoateți-l din priză înainte de curățare.
- Nu scufundați corpul aparatului în apă în timpul curățării. Nu utilizați niciun fel de agenți agresivi sau abrazivi, deoarece aceștia ar putea deteriora aparatul. **AVERTIZARE:** Nu utilizați niciun fel de substanțe volatile sau inflamabile - risc de explozie.
- AVERTIZARE:** Pentru a accelera dezghețarea produsului, nu utilizați niciun fel de unelte mecanice nerecomandate de producător și nu turnați apă fierbinte în aparat.
- Nu atingeți părțile mobile ale aparatului în timpul funcționării.
- Niciodată nu înclinați, nu deplasați și nu încercați să goliți rezervorul pentru apă în timp ce aparatul este în funcțiune!
- Acordați o atenție sporită atunci când utilizați aparatul în apropierea copiilor.

25. Acest aparat nu trebuie utilizat de către copii. Nu lăsați aparatul și sursa sa de alimentare cu energie electrică la îndemâna copiilor. Aparatul poate fi utilizat de persoane cu capacități fizice, senzoriale sau mentale reduse sau cu lipsă de experiență și cunoștințe dacă sunt sub supraveghere sau dacă au beneficiat de instruire pentru utilizarea în siguranță a aparatului și dacă înțeleg potențialele pericole. Copiii nu trebuie să se joace cu aparatul.

26. Întotdeauna opriți și deconectați aparatul dacă:

- aparatul nu funcționează corespunzător,
- aparatul emite un miros neobișnuit sau fum,
- asamblați aparatul,
- adăugați apă în rezervorul pentru apă și instalați rezervorul la locul său în aparat,
- înainte de întreținere,
- nu îl mai utilizați.

27. **AVERTIZARE:** Acest produs conține gaz frigorific R600a, care este foarte inflamabil. Trebuie să vă asigurați că niciuna dintre părțile circuitului de răcire nu este deteriorată. În caz de deteriorare, preveniți incendiul și aerisiți temeinic zonele în care se află dispozitivul.



AVERTIZARE: ATENȚIE, PERICOL DE INCENDIU!

Do not immerse in water! – Nu scufundați în apă!

PERICOL PENTRU COPII: Copiii nu trebuie să se joace cu materialul de ambalare. Nu lăsați copiii să se joace cu pungile din plastic. Risc de sufocare.

UTILIZAREA APARATULUI DE GHEAȚĂ

- Scoateți tot ambalajul exterior și interior. Asigurați-vă că tava pentru gheață și cupa pentru gheață sunt incluse. Dacă lipsește o piesă sau un accesoriu, contactați un centru de service.
- Nu înclinați aparatul de gheață la mai mult de 45° în timpul transportului sau utilizării.
- Nu întoarceți aparatul de gheață cu susul în jos; în caz contrar, compresorul sau sistemul frigorific pot funcționa defectuos.

- Când mutați sau transportați aparatul de gheață, așteptați până când lichidele din compresor s-au stabilizat timp de cel puțin 2 ore înainte de a conecta aparatul la sursa de alimentare. Acest lucru va reduce posibilitatea defectării sistemului de răcire din cauza manipulării necorespunzătoare.
- Nu acoperiți și nu blocați orificiile de ventilație ale aparatului.
- Deschideți capacul superior, scoateți tava pentru gheață și turnați apă potabilă (de preferință purificată sau distilată) în rezervor.

Avertizare: Nu adăugați apă peste marcajul MAX aflat pe partea din spate a rezervorului pentru apă.

- Dacă aparatul de gheață este utilizat pentru prima dată sau după o perioadă lungă de neutilizare, aruncați cuburile de gheață produse în primele două cicluri.
- Pentru a menține performanța eficientă, dispărarea căldurii, eficiența și consumul redus de energie, este necesar să aveți suficient spațiu de ventilație în jurul aparatului de gheață.
- Conectați aparatul la priză. Indicatorul de alimentare (**B**) începe să clipească.
- Apăsăți comutatorul principal (**E**) de pe panoul de control pentru a începe ciclul de producție de gheață. Indicatorul de alimentare (**B**) se aprinde.
- Apăsăți butonul **F** pentru a selecta mărimea cuburilor de gheață. Puteți selecta una din două mărimi - mică sau mare.
- Dacă temperatura ambiantă este sub 15 °C, vă recomandăm să alegeți o mărime mai mică pentru a preveni lipirea gheții.
- Verificați în mod regulat nivelul apei atunci când aparatul de gheață este pornit. Dacă pompa de apă nu poate injecta apă, aparatul de gheață se va opri automat și indicatorul **D** se va aprinde. Apăsăți comutatorul principal (**B**), umpleți rezervorul pentru apă până la marcajul nivelului apei și apăsați din nou comutatorul principal. Așteptați 3 minute pentru ca agentul frigorific să se stabilizeze înainte de repornire.
- Atunci când tava pentru gheață este plină, indicatorul luminos **C** se va aprinde și aparatul de gheață oprește automat ciclul de producție de gheață. Scoateți cu grijă gheața din tava pentru gheață utilizând cupa pentru gheață. După golirea tăvii pentru gheață și închiderea capacului, funcția de producție de gheață pornește din nou automat.

Avertizare: Lumina directă a soarelui sau reflectarea luminii solare pot cauza o funcționare defectuoasă a senzorului cu infraroșu. Dacă aparatul nu se oprește, este posibil și ca senzorul să fie blocat de cuburile de gheață. Mutați aparatul departe de lumina directă a soarelui.

- Schimbați apa din rezervorul pentru apă cel puțin o dată pe zi pentru a asigura un nivel adecvat de igienă și de gheață curată.
- Dacă utilizați aparatul de gheață pentru o perioadă lungă de timp, este posibil ca pompa de apă să nu transporte suficientă apă din cauza bulelor de aer. În acest caz, indicatorul pentru adăugare de apă (**D**) se va aprinde. În acest moment trebuie să apăsați din nou comutatorul principal (**E**). Aparatul ar trebui să înceapă să funcționeze normal.
- Dacă nu utilizați aparatul o perioadă, scurgeți apa din rezervor și curățați rezervorul.
- Dacă compresorul încetează să funcționeze corespunzător din cauza lipsei de apă, a apei excesive sau a unei pene de curent, după repornire vor trece aproximativ 3 minute înainte de a începe să funcționeze.
- Utilizați întotdeauna apă proaspătă înainte de a începe producția de gheață, fie în timpul primei instalări, fie după o oprire mai lungă.

Notă: Apa și temperatura ambiantă afectează capacitatea de producție de cuburi de gheață; o temperatură mai scăzută a apei și o temperatură ambiantă mai scăzută înseamnă o capacitate mai mare de producție de cuburi de gheață și un timp mai scurt de producere a gheții. Zgomotul emis de pompa de apă în timpul producerii gheții este normal.

DEPANARE

Problemă	Cauză posibilă	Depanare
Indicatorul pentru adăugare de apă este aprins (D).	Lipsește apa.	Opriiți aparatul de gheață, umpleți-l cu apă și reporniți aparatul apăsând din nou comutatorul principal.
	Senzorul de recipient pentru gheață plin nu funcționează corect.	Contactați un centru de service.
Indicatorul pentru adăugare de apă (D) este aprins, chiar dacă rezervorul pentru apă este plin. Nu se produce gheață.	Senzorul de recipient pentru gheață plin nu funcționează corect.	Contactați un centru de service.
Indicatorul de recipient pentru gheață plin (C) este aprins.	Tava pentru gheață este plină.	Scoateți gheața din tavă.
Indicatorul de recipient pentru gheață plin (C) este aprins, dar în recipient nu există gheață.	Senzorul de recipient pentru gheață plin (emițător și receptor) este acoperit cu murdăria conținută în apă sau alți poluanți.	Utilizați o lavetă moale înmuiată în apă pentru a curăța senzorul de recipient pentru gheață plin. După curățare, verificați dacă aparatul de gheață funcționează din nou, dacă curățarea nu ajută, contactați centrul de service.
	Senzorul de recipient pentru gheață plin nu funcționează corect.	Contactați un centru de service.
Indicatorul de recipient pentru gheață plin (C) se aprinde timp de 3 secunde și se stinge timp de 3 secunde.	Cupa pentru gheață este blocată sau mecanismul de întoarcere nu funcționează corect.	Asigurați-vă că gheața nu blochează cupa pentru gheață, în caz contrar apăsați comutatorul principal pentru a opri aparatul de gheață și apăsați-l din nou pentru a vedea dacă aparatul poate produce gheață în mod normal. Dacă indicatorul de recipient pentru gheață plin (C) continuă să clipească, apăsați comutatorul principal, opriiți aparatul și contactați un centru de service.
Indicatoarele de pe afișaj sunt stinse.	Siguranțele sunt arse sau sursa de alimentare este oprită, nu există curent.	Înlocuiți siguranțele sau porniți alimentarea.
Cuburile de gheață sunt lipite unul de altul.	Ciclul de producție de gheață este prea lung.	Opriiți aparatul de gheață și reporniți-l după ce blocurile de gheață s-au topit. Alegeți mărimea mică a cuburilor de gheață.
	Temperatura apei din rezervor este prea scăzută.	Schimbați apa din rezervor. Utilizați apă la o temperatură de 7-32 °C.
	Păstrarea de gheață în aparat pentru o perioadă lungă de timp poate face ca aparatul să recicleze gheața prin dizolvarea acesteia și producerea unui nou lot.	Transferați gheața preparată într-un alt recipient și păstrați recipientul la frigider sau la congelator pentru a preveni reciclarea.

Cuburile de gheață se topesc.	Păstrarea de gheață în aparat pentru o perioadă lungă de timp poate face ca aparatul să recicleze gheața prin dizolvarea acesteia și producerea unui nou lot. Aparatul de gheață nu este conceput pentru depozitarea pe termen lung a gheții. Dacă gheața nu este utilizată sau mutată în mod regulat într-o cutie de răcire sau de congelare, topirea gheții este normală.	După mult timp, transferați gheața finită într-un alt recipient și păstrați-o în frigider sau în congelator pentru a preveni reciclarea acesteia.
Ciclul de producție de gheață este normal, dar nu se produce gheață.	Temperatura ambiantă sau temperatura apei din rezervor este prea ridicată.	Utilizați aparatul de gheață la o temperatură sub 32 °C și utilizați apă rece.
	Scurgere de agent frigorific.	Contactați un centru de service.
	Tubulatura sistemului de răcire este înfundată.	Contactați un centru de service.

CURĂȚARE ȘI ÎNTREȚINERE

- Curățați aparatul de gheață, rezervorul pentru apă, cupa și evaporatorul în mod regulat.
- Înainte de întreținere, opriți aparatul și deconectați-l de la sursa de alimentare.
- Scoateți cuburile de gheață, mutați aparatul de gheață pe chiuvetă sau deasupra chiuvetei și scoateți dopul deschiderii pentru scurgere din partea din față jos. Scurgeți apa rămasă în chiuvetă.
- Scoateți tava pentru gheață și spălați-o în apă caldă.
- Nu utilizați nici un fel de unelte mecanice pentru a accelera procesul de dezghețare.
- Curățați interiorul cu detergent diluat, apă caldă și o lavetă moale.
- Exteriorul aparatului de gheață trebuie curățat în mod regulat cu o soluție de detergent neagresiv și apă caldă.
- Nu pulverizați substanțe chimice sau solvenți, cum ar fi acizi, benzină sau ulei, pe dispozitiv.
- Înainte de a porni din nou aparatul, curățați interiorul și ștergeți-l bine cu o lavetă moale.
- Montați la loc dopul deschiderii pentru scurgere.

DATE TEHNICE

Volu total	2 l
Tensiune și frecvență nominală	220-240 V~ 50 Hz
Putere de intrare	100-120 W
Alimentare cu energie electrică	1,6 A
Clasă de protecție împotriva electrocutării	I
Spumă izolatoare	CYCLOPENTAN
Agent frigorific	R600a/23g
Clasă climatică	SN/N/ST/T

UTILIZAREA ȘI ELIMINAREA LA DEȘEURI

Hârtie de ambalare și carton ondulat - livrați la centrele de colectare a deșeurilor obișnuite. Folie de ambalare, saci din polietilenă, articole din plastic - aruncați în recipientele de reciclare a materialelor din plastic.

ELIMINAREA PRODUSELOR LA SFÂRȘITUL DURATEI DE VIAȚĂ

Eliminarea echipamentelor electrice și electronice (valabilă în țările membre ale UE și în alte țări europene cu un sistem de reciclare implementat)

Simbolul reprezentat pe produs sau pe ambalaj indică faptul că produsul nu trebuie tratat drept deșeu menajer. Predați produsul la locația specificată pentru reciclarea echipamentelor electrice și electronice. Preveniți impactul negativ asupra sănătății oamenilor și asupra mediului prin reciclarea corespunzătoare a produsului dumneavoastră. Reciclarea contribuie la conservarea resurselor naturale. Pentru mai multe informații privind reciclarea acestui produs, consultați autoritatea locală, organizația de procesare a deșeurilor menajere sau magazinul de unde ați achiziționat produsul.



08/05

Acest produs respectă cerințele directivelor UE privind compatibilitatea electromagnetică și siguranța electrică și problema metalelor grele din echipamentele electrice și electronice. În plus, acesta corespunde cerințelor energetice relevante și cerințelor pentru contactul direct cu alimentele.



Manualul de utilizare este disponibil la www.ecg-electro.eu.

Ne rezervăm dreptul de a efectua modificări ale textului și ale parametrilor tehnici.

BEZPEČNOSTNÉ POKYNY

Čítajte pozorne a uschovajte na budúcu potrebu!

Varovanie: Bezpečnostné opatrenia a pokyny uvedené v tomto návode nezahŕňajú všetky možné podmienky a situácie, ku ktorým môže dôjsť. Používateľ musí pochopiť, že faktorom, ktorý nie je možné zabudovať do žiadneho z výrobkov, je zdravý rozum, opatrnosť a starostlivosť. Tieto faktory teda musia byť zaistené používateľom/používateľmi používajúcimi a obsluhujúcimi toto zariadenie. Nezodpovedáme za škody spôsobené počas prepravy, nesprávnym používaním, kolísaním napätia alebo zmenou či úpravou akejkoľvek časti zariadenia. Nedodržanie bezpečnostných pokynov môže mať za následok zranenie osôb, poškodenie majetku, požiar, alebo úraz elektrickým prúdom.

Aby nedošlo k vzniku požiaru alebo k úrazu elektrickým prúdom, mali by sa pri používaní elektrických zariadení vždy dodržiavať základné opatrenia, vrátane tých nasledujúcich:

1. Uistite sa, že napätie vo vašej zásuvke zodpovedá napätiu uvedenému na štítku zariadenia a že je zásuvka riadne uzemnená. Zásuvka musí byť inštalovaná podľa platnej elektrotechnickej normy STN.
2. Nikdy spotrebič nepoužívajte, ak je prívodný kábel poškodený, ak spotrebič nefunguje správne alebo je pokazený, ak vám spadol alebo ste ho iným spôsobom poškodili. Všetky opravy alebo nastavenia vrátane výmeny napájacieho prívodu zverte odbornému servisu! Nedemontujte ochranné kryty zariadenia, hrozí nebezpečenstvo úrazu elektrickým prúdom!
3. Chráňte spotrebič pred priamym kontaktom s vodou a inými tekutinami, aby nedošlo k prípadnému úrazu elektrickým prúdom či požiaru. Neponárajte spotrebič, prívodný kábel alebo vidlicu do vody!
4. Aby nedošlo k poškodeniu kábla, dbajte na to, aby sa nedostal do tesnej blízkosti alebo sa nedotýkal kompresora spotrebiča.
5. Nepoužívajte spotrebič vonku, alebo v priestoroch s vysokou vlhkosťou. Nevystavujte spotrebič priamemu slnečnému žiareniu a

neumiestňujte ho do blízkosti vyhrievacích zariadení. Nedotýkajte sa prívodného kábla alebo spotrebiča mokrými rukami. Hrozí nebezpečenstvo úrazu elektrickým prúdom.

6. Vidlica napájacieho prívodu musí zostať ľahko dostupná. Kábel neskracujte a nepoužívajte rozvodky v elektrických zásuvkách alebo predlžovacie káble.
7. Spotrebič musí byť zapojený do zásuvky samostatne. Napájací prívod sa nesmie dotýkať horúcich častí, viesť cez ostré hrany, ležať pod kobercom alebo visieť z police či stola.
8. Spotrebič nezapínajte a nevypínajte zasunutím alebo vytiahnutím vidlice napájacieho prívodu.
9. Ak sa zo spotrebiča šíri neobvyklý zápach alebo dym, okamžite ho odpojte od elektrickej siete a navštívte so spotrebičom servisné stredisko.
10. Spotrebič vždy umiestnite na pevný, rovný povrch. Nikdy ho neumiestňujte na povrch, ktorý by voda alebo vlhkosť mohli poškodiť (napr. z dreva, z bambusu, na lakované povrchy a podobne).
11. Na spotrebič nič neumiestňujte a nezakrývajte ho. Nenechávajte spotrebič v blízkosti alebo v styku s horľavými látkami. Hrozí riziko požiaru. Pre správnu cirkuláciu vzduchu ponechajte nad spotrebičom minimálne 22 cm a po jeho stranách 15 cm voľného priestoru. Spotrebič neprevádzkujte vnútri kuchynského či iného nábytku.
12. Spotrebič je určený na výrobu ľadu. Používajte ho iba v súlade s pokynmi uvedenými v tomto návode. Výrobca nezodpovedá za škody spôsobené nesprávnym použitím tohto zariadenia.
13. Tento spotrebič je určený na použitie v domácnosti a podobných priestoroch, ako sú:
 - kuchynské kúty v obchodoch, kanceláriách a ostatných pracoviskách;
 - spotrebiče používané hosťami v hoteloch, motelloch a iných obytných prostrediach;
 - spotrebiče používané v podnikoch zaisťujúcich nocľah s raňajkami;

- spotrebiče používané v stravovacích a podobných nepredajných prostrediach.

UPOZORNENIE: Tento spotrebič nie je určený na profesionálne využitie.

- VÝSTRAHA:** Používajte výhradne čistú pitnú, neperlivú vodu bez prísad, ktoré by mohli spotrebič poškodiť. Nezapínajte spotrebič, ak v nádobe nie je voda a zároveň nádobu nepreplňujte. Hladina vody musí byť medzi ryskami MIN a MAX.
- VÝSTRAHA:** Pred prvým uvedením do prevádzky ponechajte spotrebič aspoň 1 hodinu stáť, než sa usadí chladivo, inak hrozí poškodenie kompresora.
- Zariadenie prevádzkujte a skladujte výhradne vo vodorovnej polohe. **NEPREKLÁPAJTE HO.**
- Po preprave alebo skladovaní v chladných podmienkach je potrebné nechať spotrebič aspoň 3 hodiny aklimatizovať pri izbovej teplote.
- Spotrebič sa smie prevádzkovať a skladovať iba v miestach s okolitou teplotou medzi 10 – 38 °C.
- Pravidelne spotrebič čistite a pred čistením ho vždy vypnite a odpojte od elektrickej siete.
- Pri čistení neponárajte telo spotrebiča do vody. Nepoužívajte žiadne agresívne ani abrazívne prostriedky, mohlo by dôjsť k poškodeniu spotrebiča. **VÝSTRAHA:** Nepoužívajte žiadne prchavé alebo horľavé látky – hrozí riziko výbuchu.
- UPOZORNENIE:** Na urýchlenie odmrazovania výrobku nepoužívajte žiadne mechanické nástroje, ktoré nie sú odporúčané výrobcom, ani nelejte do spotrebiča teplú vodu.
- Pri prevádzke sa nedotýkajte žiadnych pohyblivých častí spotrebiča.
- Nikdy spotrebič nenakláňajte, nepremiestňujte a nepokúšajte sa vyprázdniť vodnú nádržku, ak je spotrebič v prevádzke!
- Dbajte na zvýšenú pozornosť, ak používate spotrebič v blízkosti detí.
- Tento spotrebič nesmú používať deti. Udržujte spotrebič a jeho prívod mimo dosahu detí. Spotrebiče môžu používať osoby so zníženými fyzickými, zmyslovými či mentálnymi schopnosťami

alebo nedostatkom skúseností a znalostí, ak sú pod dozorom alebo boli poučené o používaní spotrebiča bezpečným spôsobom a rozumejú prípadným nebezpečenstvám. Deti sa so spotrebičom nesmú hrať.

26. Spotrebič vždy vypnite a odpojte od elektrickej siete v prípade, že:
- spotrebič nepracuje správne,
 - ak sa zo spotrebiča šíri neobvyklý zápach alebo dym,
 - pri zostavovaní spotrebiča,
 - ak doplňujete vodu do nádoby a inštalujete ju na jej miesto v spotrebiči,
 - pred údržbou,
 - ak ho nebudete ďalej používať.
27. **UPOZORNENIE:** Tento výrobok obsahuje chladiace médium R600a, teda plyn, ktorý je veľmi horľavý. Je nutné zaistiť, aby žiadna z častí chladiaceho obvodu nebola poškodená. V prípade poškodenia zamedzte horeniu a priestory, v ktorých je zariadenie umiestnené, riadne vyvetrajte.



VÝSTRAHA: POZOR, RIZIKO POŽIARU!

Do not immerse in water! – Neponárať do vody!

NEBEZPEČENSTVO PRE DETI: Deti sa nesmú hrať s obalovým materiálom. Nenechajte deti hrať sa s plastovými vrecúškami. Nebezpečenstvo udusenía.

POUŽÍVANIE VÝROBNÍKA ĽADU

- Odstráňte všetky vonkajšie a vnútorné obaly. Skontrolujte, či sú súčasťou balenia košík na ľad a lopatka na ľad. Ak niektorý diel alebo príslušenstvo chýba, obráťte sa na servisné stredisko.
- Počas prepravy alebo používania nenakláňajte výrobnik ľadu o viac než 45°.
- Výrobnik ľadu neotáčajte dnom nahor, inak by mohlo dôjsť k nesprávnemu fungovaniu kompresora alebo chladiaceho systému.
- Pri prenášaní alebo preprave výrobníka ľadu počkajte, až sa tekutiny v kompresore usadia aspoň 2 hodiny, a až potom spotrebič zapojte do siete. Znížite tak možnosť poruchy chladiaceho systému v dôsledku nesprávneho zaobchádzania.
- Nezakrývajte ani neblokujte vetracie otvory spotrebiča.

- Otvorte horné veko, vyberte košík na ľad a nalejte do nádrže pitnú vodu (najlepšie čistenú alebo destilovanú).

Varovanie: Nedoplňujte vodu nad značku MAX na zadnej strane zásobníka na vodu.

- Ak sa výrobnik ľadu používa prvýkrát alebo po dlhšom čase bez použitia, vyhodte kocky ľadu vyrobené počas prvých dvoch cyklov.
- Na udržanie správneho výkonu, odvodu tepla, zachovanie účinnosti a nízkej spotreby energie je nutné mať okolo výrobníka ľadu dostatočný vetrací priestor.
- Zapojte prístroj do zásuvky. Indikátor napájania (**B**) začne blikať.
- Stlačením hlavného vypínača (**E**) na ovládacom paneli spustíte cyklus výroby ľadu. Indikátor napájania (**B**) bude svietiť.
- Stlačením tlačidla **F** vyberte veľkosť kocky ľadu. Môžete si vybrať z 2 veľkostí – malej alebo veľkej.
- Ak je okolitá teplota nižšia než 15 °C, odporúčame zvoliť menšiu veľkosť, aby sa ľad nezlepil.
- Keď je výrobnik ľadu zapnutý, pravidelne kontrolujte hladinu vody. Ak vodné čerpadlo nemôže vstrekať vodu, výrobnik ľadu sa automaticky zastaví a rozsvieti sa kontrolka **D**. Stlačte hlavný vypínač (**B**), naplňte vodu po značku hladiny a znovu stlačte hlavný vypínač. Pred opätovným spustením vyčkajte 3 minúty, než sa chladivo usadí.
- Keď je kôš na ľad plný, rozsvieti sa kontrolka **C** a výrobnik ľadu automaticky zastaví cyklus výroby ľadu. Opatrne vyberte ľad z koša na ľad pomocou lopatky na ľad. Po vyprázdnení koša na ľad a zatvorení veka sa automaticky znovu spustí funkcia výroby ľadu.

Varovanie: Priame slnečné svetlo alebo odraz slnečného svetla môže spôsobiť poruchu infračerveného senzora. Ak sa spotrebič nezastaví, môžu snímač blokovat aj kocky ľadu. Premiestnite spotrebič na miesto, kam nedopadá slnečné svetlo.

- Vodu v nádrži na vodu meňte aspoň raz denne, aby ste zaistili primeranú úroveň hygieny a čistý ľad.
- Ak budete výrobnik ľadu používať dlhší čas, môže sa stať, že vodné čerpadlo nebude dopravovať dostatočné množstvo vody kvôli vzduchovým bublinám. V tomto prípade sa rozsvieti indikátor prídania vody (**D**). V tomto okamihu musíte znovu stlačiť hlavný vypínač (**E**). Zariadenie by malo začať normálne fungovať.
- Ak spotrebič nejaký čas nepoužívate, vypustite vodu z nádrže a nádržku vyčistite.
- Ak kompresor prestane správne pracovať z dôvodu nedostatku vody, nadmerného množstva vody alebo výpadku napájania, bude trvať približne 3 minúty po opätovnom spustení, než začne pracovať.
- Pred začatím výroby ľadu vždy použite čerstvú vodu, a to buď pri prvej inštalácii, alebo po dlhšej odstávke.

Poznámka: Teplota vody aj prostredia ovplyvňuje kapacitu vyrobených kociek ľadu, nižšia teplota vody a nižšia teplota prostredia znamená väčšiu kapacitu kociek ľadu a kratší čas výroby ľadu. Hluk, ktorý vydáva vodné čerpadlo pri výrobe ľadu, je normálny.

RIEŠENIE ŤAŽKOSTÍ

Problém	Možná príčina	Odporúčané riešenie
Svieti indikátor prídania vody (D).	Nedostatok vody.	Zastavte výrobnik ľadu, naplňte ho vodou a opätovným stlačením hlavného vypínača prístroj reštartujte.
	Senzor naplnenia zásobníka ľadu nefunguje správne.	Obráťte sa na servisné stredisko.
Svieti indikátor prídania vody (D), aj keď je nádržka plná. Ľad sa nevyrába.	Senzor naplnenia zásobníka ľadu nefunguje správne.	Obráťte sa na servisné stredisko.

Svieti indikátor naplnenia zásobníka ľadu (C).	Košík na ľad je plný.	Vyberte vyrobený ľad z košíka.
Svieti indikátor naplnenia zásobníka ľadu (C), ale žiadny ľad v ňom nie je.	Senzor naplnenia zásobníka ľadu (vysielač a prijímač) je pokrytý nečistotami nachádzajúcimi sa vo vode alebo inými znečisťujúcimi látkami.	Na čistenie senzora naplnenia zásobníka ľadu použite mäkkú handričku namočenú vo vode. Po vyčistení skontrolujte, či výrobnik ľadu opäť funguje, ak to nepomôže, kontaktujte servisné stredisko.
	Senzor naplnenia zásobníka ľadu nefunguje správne.	Obráťte sa na servisné stredisko.
Indikátor naplnenia zásobníka ľadu (C) sa rozsvieti na 3 sekundy a na 3 sekundy zhasne.	Lopatka na ľad sa zasekla alebo mechanizmus otáčania nefunguje správne.	Skontrolujte, či ľad neblokuje lopatku na ľad, v opačnom prípade stlačením hlavného vypínača výrobnik ľadu vypnite a opätovným stlačením ho zapnite, aby ste zistili, či môže normálne vyrábať ľad. Ak indikátor naplnenia zásobníka ľadu (C) stále preblikáva, stlačte hlavný vypínač, vypnite prístroj a obráťte sa na servisné stredisko.
Indikátory na displeji nesvietia.	Poistky alebo napájanie sú vypnuté, nie je žiadny prúd.	Vymeňte poistky alebo zapnite napájanie.
Kocky ľadu sa k sebe zlepili.	Cyklus výroby ľadu je príliš dlhý.	Zastavte výrobnik ľadu a znovu ho spustíte, hneď ako sa bloky ľadu roztopia. Vyberte malú veľkosť kociek ľadu.
	Teplota vody vo vnútornej nádrži je príliš nízka.	Vymeňte vodu v nádrži. Používajte vodu s teplotou 7 – 32 °C.
	Ponechanie ľadu v spotrebiči na dlhší čas môže viesť k tomu, že spotrebič ľad recykluje tak, že ho rozpustí a vyrobí novú dávku.	Pripravený ľad preložte do inej nádoby a uložte do chladničky alebo mrazničky, aby ste zabránili jeho recyklácii.
Kocky ľadu sa topia.	Ponechanie ľadu v spotrebiči na dlhší čas môže viesť k tomu, že spotrebič ľad recykluje tak, že ho rozpustí a vyrobí novú dávku. Výrobnik ľadu nie je navrhnutý na dlhodobé skladovanie ľadu. Ak sa ľad nepoužíva alebo pravidelne nepremiestňuje do chladiaceho alebo mraziaceho boxu, je topenie ľadu normálne.	Po dlhšom čase preložte hotový ľad do inej nádoby a uložte ho do chladiaceho boxu alebo mrazničky, aby sa zabránilo jeho recyklácii.
Cyklus výroby ľadu je normálny, ale ľad sa nevyrába.	Okolitá teplota alebo teplota vody vo vnútornej nádrži je príliš vysoká.	Výrobnik ľadu prevádzkujte pri teplote nižšej než 32 °C a používajte studenú vodu.
	Únik chladiacej kvapaliny.	Obráťte sa na servisné stredisko.
	Potrubie chladiaceho systému je upchaté.	Obráťte sa na servisné stredisko.

ČISTENIE A ÚDRŽBA

- Pravidelne čistite výrobnik ľadu, nádržku na vodu, lopatku a výparník.
- Pred začatím údržby spotrebič vypnite a odpojte od elektrickej siete.
- Vyberte kocky ľadu, výrobnik premiestnite do drezu alebo nad drez a vyberte vypúšťaciu zátku z prednej spodnej strany. Vypustite zostávajúci čas do drezu.
- Vyberte kôš na ľad a umyte ho v teplej vode.
- Nepoužívajte žiadne mechanické nástroje na urýchlenie procesu odmrazovania.
- Vnútrotný priestor čistite zriedeným čistiacim prostriedkom, teplou vodou a mäkkou handričkou.
- Vonkajšia časť výrobníka ľadu by sa mala pravidelne čistiť jemným roztokom čistiaceho prostriedku a teplou vodou.
- Nestriekajte na zariadenie chemikálie alebo rozpúšťadlá, ako sú kyseliny, benzín alebo olej.
- Pred opätovným zapnutím vyčistite vnútrotný priestor a dôkladne ho opláchnite mäkkou handričkou.
- Vráťte späť vypúšťaciu zátku.

TECHNICKÉ ÚDAJE

Celkový objem	2 l
Menovité napätie a frekvencia	220 – 240 ~ 50 Hz
Príkon	100 – 120 W
Prúd	1,6 A
Trieda ochrany pred úrazom elektrickým prúdom	I
Izolačná pena	CYKLOPENTÁN
Chladivo	R600a/23 g
Klimatická trieda	SN/N/ST/T

VYUŽITIE A LIKVIDÁCIA ODPADU

Baliaci papier a vlnitá lepenka – odovzdajte do zberných surovín. Prebalová fólia, PE vrecúška, plastové diely – do zberných kontajnerov na plasty.

LIKVIDÁCIA VÝROBKU PO UKONČENÍ ŽIVOTNOSTI

Likvidácia použitých elektrických a elektronických zariadení (platí v členských krajinách EÚ a ďalších európskych krajinách so zavedeným systémom triedenia odpadu)

Vyobrazený symbol na produkte alebo na obale znamená, že s produktom by sa nemalo nakladať ako s domovým odpadom. Produkt odovzdajte na miesto určené na recykláciu elektrických a elektronických zariadení. Správnou likvidáciou produktu zabránite negatívnym vplyvom na ľudské zdravie a životné prostredie. Recyklácia materiálov prispieva k ochrane prírodných zdrojov. Viac informácií o recyklácii tohto produktu vám poskytne obecný úrad, organizácia na spracovanie domového odpadu alebo predajné miesto, kde ste produkt kúpili.



08/05



Tento výrobok spĺňa požiadavky smerníc EÚ o elektromagnetickej kompatibilite a elektrickej bezpečnosti a problematiky ťažkých kovov v elektrických a elektronických zariadeniach. Ďalej spĺňa príslušnú energetickú náročnosť a požiadavky na priamy styk s potravinami.

Návod na obsluhu je k dispozícii na webových stránkach www.ecg-electro.eu.

Zmena textu a technických parametrov vyhradená.

VARNOSTNI NAPOTKI

Pazljivo preberite in shranite za morebitno kasnejšo uporabo!

Svarilo: Varnostni ukrepi in navodila v tem priročniku ne zajemajo vseh možnih pogojev in situacij, do katerih lahko pride. Uporabnik mora razumeti, da so dejavniki, ki jih ni mogoče vključiti v nobenega izmed izdelkov, zdrav razum, previdnost in skrbnost. Zato mora uporabnik te naprave sam zagotoviti omenjene dejavnike. Ne odgovarjamo za škodo, nastalo med prevozom, zaradi nepravilne uporabe, zaradi nihanja napetosti ali zaradi spremembe ali predelave kateregakoli dela naprave. Posledice neupoštevanja varnostnih napotkov so lahko poškodbe oseb, poškodbe imetja, požar ali električni udar.

Da ne bi prišlo do požara ali poškodbe zaradi električnega udara, morate pri uporabi električnih naprav vedno upoštevati osnovna varnostna navodila, med katerimi so tudi naslednja:

1. Preverite, ali napetost na vaši vtičnici odgovarja tisti, ki je navedena na ploščici vaše naprave, in ali je vtičnica pravilno ozemljena. Vtičnica mora biti inštalirana glede na veljavne elektrotehnične standarde EN.
2. Aparata nikoli ne uporabljajte, če je poškodovan električni kabel, če aparat ne deluje pravilno ali če je poškodovan, če vam je padel iz rok ali pa se je kakor koli drugače poškodoval. Kakršnakoli popravila ali prilagajanje naprave, kamor se šteje tudi zamenjava kabla, mora izvesti strokovni servis! Ne odstranjujte zaščitnih pokrovov aparata, nevarnost električnega udara!
3. Napravo varujte pred stikom z vodo ali z drugimi tekočinami, da ne bi prišlo do električnega udara ali požara. Napravo, električnega kabla ali vtičnice ne potaplajte v vodo!
4. Da ne pride do poškodbe kabla, pazite na to, da le ta ne pride v bližino oziroma da se ne dotika kompresorja aparata.
5. Naprave ne uporabljajte zunaj, ali pa v prostorih z visoko vlago. Naprave ne izpostavljajte neposredni sončni svetlobi in je ne postavljajte v bližino grelnih naprav. Ne dotikajte se el. kabla ali aparata z mokrimi rokami. Obstaja nevarnost električnega udara.

6. Vtič priključnega kabla mora biti prosto dostopen. Kabla ne krajšajte in ne uporabljajte razdelilnikov v električnih vtičnicah ali podaljških.
 7. Naprava mora biti priključena v vtičnico samostojno. Priključni kabel se ne sme dotikati vročih delov, teči prek ostrih robov, ležati pod preprogo ali viseti s police oziroma mize.
 8. Aparata ne vklopljajte ali izklopljajte s priklopom ali odklopom vtiča električnega napajanja.
 9. Če se iz aparata širi nenavaden smrad ali dim, ga takoj izklopite iz električnega omrežja in z njim obiščite servisni center.
 10. Napravo vedno nameščajte na trdno, ravno površino. Nikoli je ne postavljajte na površino, ki bi jo lahko voda ali vlaga lahko poškodovala (npr. iz lesa, bambusa, na lakirane površine ipd.).
 11. Na napravo nič ne nastavljajte in je ne prekrivajte. Naprave ne puščajte v bližini ali v stiku z gorečimi snovmi. Nevarnost požara. Za pravilno kroženje zraka pustite minimalno nad napravo 22 cm, ob njenih straneh pa 15 cm prostega prostora. Naprave ne sme delovati znotraj kuhinjskega oziroma drugega pohištva.
 12. Aparat je namenjen za izdelovanje ledu. Uporabljajte ga le v skladu z napotki, navedenimi v teh navodilih. Proizvajalec ne odgovarja za škode, nastale zaradi nepravilne uporabe tega aparata.
 13. Ta aparat je namenjen za uporabo v gospodinjstvu in podobnih prostorih, kot so:
 - kuhinjski koticiki v trgovinah, pisarnah in na drugih delovnih mestih;
 - aparati, ki jih gostje uporabljajo v hotelih, motelih in v drugem bivalnem okolju;
 - aparati, ki se uporabljajo v objektih, ki ponujajo nočitev z zajtrkom.;
 - aparati, ki se uporabljajo v prehrabnih in drugih podobnih okoljih.
- OPOZORILO:** Ta naprava ni namenjena za profesionalno uporabo.
14. **SVARILO:** Izključno uporabljajte čisto pitno, negazirano vodo brez dodatkov, ki bi lahko poškodovali napravo. Ne prižigajte aparata, če v njem ni vode, v nobenem primeru pa ne smete prenapolniti posode. Nivo vode mora biti med zarezama MIN in MAX.

15. **SVARILO:** Pred prvim delovanjem naj naprava stoji vsaj eno uro, da se stabilizira hladilno sredstvo, v nasprotnem primeru obstaja nevarnost poškodbe kompresorjev.
16. Aparat naj deluje in se skladišči izključno v vodoravni legi. **NE NAGIBAJTE GA.**
17. Po transportu ali skladiščenju v hladnih pogojih naj se naprava aklimatizira vsaj 3 ure pri sobni temperaturi.
18. Aparat lahko obratuje in se lahko skladišči samo v prostorih, kjer je temperatura okolja med 10-38°C.
19. Redno čistite napravo in jo pred čiščenjem vedno izklopite in odklopite od električnega omrežja.
20. Pri čiščenju ne potaplajte trupa naprave v vodo. Ne uporabljajte agresivnih ali abrazivnih sredstev, lahko pride do poškodbe naprave.
SVARILO: Ne uporabljajte hlapljivih ali vnetljive snovi – nevarnost eksplozije.
21. **OPOZORILO:** Za hitrejše odmrzovanje izdelka ne uporabljajte mehanskih aparatov, ki jih ne priporoča proizvajalcev, prav tako pa v napravo ne nalivajte tople vode.
22. Pri delovanju se ne dotikajte nobenih gibljivih delov naprave.
23. Naprave nikoli ne nagibajte, ne predstavljajte in ne poskušajte izprazniti posode za vodo, če naprava obratuje!
24. Bodite še posebej pozorni, če aparat uporabljate v bližini otrok.
25. Tega aparata ne smejo uporabljati otroci. Aparat in el. kabel morata biti izven dosega otrok. Aparat lahko uporabljajo osebe z zmanjšano fizično, duševno ali umsko sposobnostjo ali osebe, ki nimajo dovolj izkušenj, če so pod nadzorom, ali če jih je izkušena oseba podučila o varni uporabi in razumejo vse nevarnosti, povezane s to uporabo. Otroci se ne smejo igrati s to napravo.
26. Aparat vedno ugasnite in izklopite iz električnega omrežja v primeru da:
 - aparat ne deluje pravilno,
 - če iz aparata zavonjate neprijeten vonj ali dim,
 - ko sestavljate napravo,
 - ko nalivate vodo v posodo in jo inštalirate na njen prostor v napravi,

- pred vzdrževanjem,
- če naprave ne boste več uporabljali.

27. **OPOZORILO:** Ta izdelek vsebuje hladilno sredstvo R600a in plin, ki je zelo vnetljiv. Nujno potrebno je zagotoviti, da ni bil poškodovan noben del hladilnega cikla. V primeru poškodbe omejite požar in prostor, kjer je aparat nameščen, dobro prezračite.



SVARILO: POZOR, TVEGANJE POŽARA!

Do not immerse in water! – Ne potaplajte v vodo!

NEVARNOST ZA OTROKE: Otroci se ne smejo igrati z embalažnim materialom. Ne dovolite, da bi se otroci igrali s plastičnimi vrečkami. Nevarnost zadušitve.

UPORABA LEDOMATA

- Odstranite vso notranjo in zunanjo embalažo. Preverite, ali je sestavni del embalaže košarica in lopatica za led. V primeru, da nekateri deli ali pritikline manjkajo, kontaktirajte servisni oddelek.
- Med prevozom ali uporabo ne nagibajte ledomata za več kot 45°.
- Ledomata ne obračajte okoli, lahko bi prišlo do nepravilnega delovanja kompresorja ali hladilnega sistema.
- Pri prenašanju ali prevozu ledomata počakajte, da se tekočina v kompresorju ustali vsaj za dve uri in šele nato napravo priključite v omrežje. Tako boste zmanjšali možnost okvare hladilnega sistema zaradi nepravilne uporabe.
- Ne prekrivajte in ne blokirajte prezračevalnih odprtih naprave.
- Odprite zgornji pokrov, vzemite ven košarico za led in nalijte v posodo pitno vodo (najbolje očiščeno ali destilirano).

Svarilo: Vode ne nalivajte nad oznako MAX, ki je na zadnji strani posode za vodo.

- Če ledomat uporabljate prvič ali po daljšem času, vrzite stran ledene kocke narejene v prvih dveh ciklih.
- Za pravilno storilnost, odvajanje temperature, ohranitvi učinkovitosti in nizki porabi energije morate imeti okrog ledomata dovolj velik prostor za prezračevanje.
- Priklopite aparat v vtičnico. Kazalec el. napajanja (**B**) začne utripati.
- S pritiskom na glavno stikalo (**E**) na upravljalni plošči se zažene ciklus proizvodnje ledu. Kazalec el. napajanja (**B**) bo gorel.
- S pritiskom na tipko **F** izberite velikost ledenih kock. Lahko izbirate med dvema velikostma – majhna ali velika.
- Če je temperatura nižja kot 15 °C, priporočamo da izberete manjšo velikost, da se led ne zlepi.
- Ko je ledomat prižgan, redno preverjajte nivo vode. Če vodna črpalka ne more vbrizgati vode, se ledomat samodejno zaustavi in se prižge nadzorna lučka **D**. Pritisnite glavno stikalo (**B**), napolnite vodo do oznake nivoja in ponovno pritisnite na glavno stikalo. Pred ponovnim zagonom počakajte tri minute, da se hladilno sredstvo ustali.

- Ko je košarica za led polna, se prižge kontrolna lučka **C** in ledomat samodejno zaustavi ciklus proizvodnje ledu. Pazljivo vzemite led iz košarice za led s pomočjo zajemalke za led. Ko ste izpraznili košarico za led in ste zaprli pokrov, se samodejno ponovno zažene funkcija proizvodnje ledu.

Svarilo: Direktna sončna svetloba ali odsev sončne svetlobe lahko povzroči okvaro infrardečega senzorja. Če se naprava ne zaustavi, lahko senzor blokira tudi ledene kocke. Napravo premestite na mesto, kjer ni sončne svetlobe.

- Vodo v posodi za vodo zamenjajte vsaj enkrat dnevno, da boste zagotovili potreben nivo higijene in čisti led.
- Če boste ledomat uporabljali dalj časa se lahko zgodi, da vodna črpalka ne bo sposobna dostavljati zadostne količine vode zaradi zračnih mehurčkov. V tem primeru se prižge kazalec za dodajanja vode (**D**). V tem trenutku morate ponovno prižgati glavno stikalo (**E**). Naprava naj bi spet normalno delovala.
- Če naprave ne uporabljate dalj časa, izpusite iz posode vodo in to posodo očistite.
- Če kompresor ne deluje več pravilno zaradi pomanjkanja vode, prekomerne količine vode ali pa izpadu el. napajanja, bo trajal približno tri minute za ponovni zagon, preden bo začel delovati.
- Pred začetkom proizvodnje ledu vedno uporabljajte svežo vodo in to tako pri prvi inštalaciji kot tudi po daljšem premoru.

Opomba: Temperatura vode in okolja vplivata na kapaciteto izvedenih ledenih kock, nižja temperatura vode in nižja temperatura okolja pomenita večjo kapaciteto ledenih kock in krajši čas proizvodnje ledu. Hrup, ki prihaja iz vodne črpalke pri proizvodnji ledu, je normalen.

REŠEVANJE TEŽAV

Težava	Možen razlog	Priporočene rešitve
Gori kazalec za dodajanje vode (D).	Premalo vode.	Zaustavite ledomat, ga napolnite z vodo in s ponovnim pritiskom na glavno stikalo napravo restartirajte.
	Senzor polnosti posode za led ne deluje pravilno.	Obrnite se na servisni center.
Gori kazalec za dodajanje vode (D), čeprav je posoda polna. Led se ne proizvaja.	Senzor polnosti posode za led ne deluje pravilno.	Obrnite se na servisni center.
Kazalec polnosti posode za led (C).	Košarica za led je polna.	Iz košarice vzemite narejen led.
Gori kazalec polnosti posode za led (C), vendar pa v njej ni nobenega ledu.	Senzor polnosti posode za led (oddajnik in sprejemnik) je prekrit z nečistočami, ki so v vodi ali pa z drugimi onesnaženimi snovmi.	Za čiščenje senzorja polnosti posode za led uporabljajte mehko krpo, ki ste jo predhodno namočili v vodi. Po čiščenju preverite, ali ledomat deluje, če to ni pomagalo, kontaktirajte servisni center.
	Senzor polnosti posode za led ne deluje pravilno.	Obrnite se na servisni center.

Kazalec polnosti posode za led (C) se prižge za tri sekunde in za tri sekunde ugasne.	Lopatica za led se je zataknila ali pa mehanizem vrtenja ne deluje pravilno.	Preverite, ali led ne blokira lopatice za led, v nasprotnem primeru s pritiskom na glavno stikalo ledomat ugasnete in ga s ponovnim pritiskom prižgete, s čimer zagotovite, ali lahko normalno proizvaja led. Če kazalec polnosti posode za led (C) še vedno utripa, pritisnite glavno stikalo, ugasnite napravo in se obrnite se na servisni center.
Kazalec na zaslonu ne gori.	Varovalke ali el. napajanje so izklopljene, ni toka.	Zamenjajte varovalke ali vključite el. napajanje.
Ledene kocke so se med seboj zlepile.	Ciklus proizvodnje ledu je predolg.	Zaustavite ledomat in ga ponovno zaženite takoj, ko se bloki ledu raztopijo. Izberite majhno velikost ledenih kock.
	Topla voda v notranji posodi je prenizka.	Zamenjajte vodo v posodi. Uporabljajte vodo s temperaturo 7–32 °C.
	Puščanje ledu v napravi za dalj časa lahko povzroči, da naprava led reciklira tako, da ga raztopi in naredi novo porcijo ledu.	Pripravljen led prenesite v drugo posodo in ga pospravite v hladilnik ali zamrzovalnik, da se ne stopi.
Ledene kocke se topijo.	Puščanje ledu v napravi za dalj časa lahko povzroči, da naprava led reciklira tako, da ga raztopi in naredi novo porcijo ledu. Ledomat ni dizajniran za daljše skladiščenje ledu. V primeru, da se led ne uporabi oziroma redno ne premešča v hladilni ali zamrzovalni predel, je taljenje ledu normalno.	Po daljšem času prenesite narejen led v drugo posodo in ga shranite v hladilni ali zamrzovalni predel, s čimer preprečite njegovo taljenje.
Ciklus proizvodnje ledu je normale, ampak led se ne proizvaja.	Temperatura v okolju ali temperatura vode znotraj posode sta previsoki.	Ledomat naj deluje pri temperaturi nižji od 32 °C in uporabljajte hladno vodo.
	Uhajanje hladilne tekočine.	Obrnite se na servisni center.
	Cevi v hladilnem sistemu so zamašene.	Obrnite se na servisni center.

ČIŠČENJE IN VZDRŽEVANJE

- Redno čistite ledomat, posodo za vodo, lopatico in izparilnik.
- Pred začetkom vzdrževanja naprave le to vedno ugasnite in izklopite iz električnega omrežja.
- Vzemite ven ledene kocke, ledomat položite v pomivalno korito ali pa nad njega ter odstranite zatič iz sprednje spodnje strani. Izpustite preostalo vodo v pomivalno korito.
- Izpraznite košarico za led in jo umijte pod toplo vodo.
- Za hitrejši postopek odmrzovanja izdelka ne uporabljajte mehanskih pripomočkov.
- Notranji prostor očistite z razvlečenim čistilnim sredstvom, s toplo vodo in mehko krpo.
- Zunanji izdelek ledomata redno čistite z nežno raztopino čistilnega sredstva in s toplo vodo.
- Na napravo ne škropite kemikalij ali topil, kot so kisline, bencin ali olje.
- Pred ponovnim vklopom očistite notranji prostor in ga temeljito splaknite z mehko krpo.
- Zatič vrnite nazaj.

TEHNIČNI PODATKI

Prostornina skupaj	2l
Nazivna napetost in frekvenca	220-240 ~ 50 Hz
Moč	100-120W
Tok	1.6A
Razred zaščite pred udarcem električnega toka	I
Izolacijska pena	CYCLOPENTAN
Hladilo	R600a/23g
Klimatski razred	SN/N/ST/T

PREDELAVA IN ODSTRANITEV ODPADKOV

Embalažni papir in karton – odstranite med ločevalne odpadke. Folija, PE vrečke, plastični deli – v ločevalne posode za plastiko.

ODSTRANJEVANJE IZDELKA NA KONCU ŽIVLJENJSKE DOBE

Odstranjevanje starih električnih in elektronskih naprav (velja v državah članicah EU in drugih evropskih državah, kjer velja zakon o ločevanju odpadkov)

Prikazan simbol na izdelku ali embalaži pomeni, da naj se z izdelkom ne ravna kot z gospodinjstvi odpadki. Izdelek izročite v zbirno mesto, namenjeno za reciklažo električnih in elektronskih naprav. S pravilno odstranitvijo izdelka preprečite negativne vplive na človeško zdravje in okolje. Reciklaža materialov pripomore k zaščiti naravnih virov. Več informacij glede reciklaže tega izdelka dobite na lokalnem uradu, podjetju, ki se ukvarja s predelavo odpadkov ali pa v prodajalni, kjer ste kupili izdelek.



08/05



Ta izdelek izpolnjuje zahteve direktiv EU o elektromagnetni združljivosti in električni varnosti ter problematiki težkih kovin v električnih in elektronskih napravah. Nadalje izpolnjuje ustrezne energetske zahteve in zahteve za neposredni stik z živili.

Navodila za uporabo so na razpolago na spletnih straneh www.ecg-electro.eu. Pridružujemo si pravico do spremembe besedila in tehničnih parametrov.

BEZBEDNOSNA UPUTSTVA

Pročitajte pažljivo i sačuvajte za buduću upotrebu!

Pažnja: Mere predostrožnosti i uputstva ne pokrivaju sve moguće situacije i opasnosti do kojih može doći. Korisnik treba da bude svestan da faktore bezbednosti kao što su oprezno, pažljivo i razumno rukovanje nije moguće ugraditi u proizvod. Stoga sâm korisnik ovog uređaja treba da obezbedi prisutnost tih bezbednosnih faktora. Nismo odgovorni ni za kakvu štetu koja se desi tokom prevoza, nepravilnim korišćenjem, kolebanjem napona, modifikovanjem ili zamenom bilo kog dela uređaja. Nepoštivanje bezbednosnih uputa može dovesti do telesnih povreda, materijalne štete, požara ili strujnog udara.

Da ne bi došlo do požara ili povrede od udara električne struje, prilikom upotrebe električnih uređaja uvek treba poštovati osnovna bezbednosna uputstva, među kojima su i sledeća:

1. Proverite da li napon struje u vašoj utičnici odgovara onom koji je naveden na nazivnoj pločici vašeg uređaja i da li je utičnica pravilno uzemljena. Utičnica mora biti ugrađena prema zahtevima elektrotehničkih standarda.
2. Nikada ne upotrebljavajte uređaj ako je napojni kabl oštećen, ako uređaj ne radi ispravno nego je neispravan, pao je ili je na bilo koji drugi način oštećen. Bilo kakva popravka, što se odnosi i na zamenu kabla, mora biti poverena stručnom servisu! Ne skidajte bezbednosni poklopac uređaja kako ne bi došlo do opasnosti od električnog udara!
3. Uređaj zaštitite od doticaja sa vodom ili drugim tečnostima kako ne bi došlo do udara električne struje ili požara. Ne uranjajte uređaj, strujni kabl ili utikač u vodu!
4. Kako biste sprečili oštećenje kabla, pazite da se ne približi niti dodiruje kompresor uređaja.
5. Nemojte koristiti uređaj na otvorenom ili u područjima gde je visoka vlaga. Ne izlažite uređaj izravnoj sunčevoj svetlosti i ne stavlajte ga u blizinu uređaja za grejanje. Ne dotičite kabl za napajanje niti uređaj mokrim rukama. Postoji opasnost od električnog udara.

6. Utikač napajanja mora stalno ostati lako dostupan. Nemojte skraćivati kabl niti koristiti razdjelnike ili produžne kable.
7. Aparat se mora priključiti zasebno. Kabl za napajanje ne sme dodirivati vruće delove, prelaziti oštre ivice, ležati ispod tepiha ili visiti sa polica ili stola.
8. Nemojte uređaj ni uključivati ni isključivati uključivanjem utikača u utičnicu i isključivanjem iz nje.
9. Ako uređaj emituje neobičan miris ili dim, odmah ga isključite i posetite servisni centar.
10. Aparat uvek postavite na čvrstu, ravnu površinu. Nikada ga nemojte postavljati na površinu koju bi voda ili vlaga mogla oštetiti (npr. drvo, bambus, ofarbane površine, itd.).
11. Ne stavljajte ništa na aparat i ne pokrivajte ga. Ne ostavljajte aparat u blizini ili u kontaktu sa zapaljivim supstancama. Postoji opasnost od požara. Ostavite prostor od najmanje 22 cm iznad aparata i 15 cm sa strane za pravilnu cirkulaciju vazduha. Nemojte koristiti uređaj unutar kuhinjskih elemenata ili drugog namještaja.
12. Aparat je dizajniran za proizvodnju leda. Koristite ga samo u skladu sa uputama u ovom priručniku. Proizvođač nije odgovoran za štetu koja može nastati nepravilnom upotrebom ovog uređaja.
13. Ovaj proizvod je namenjen za korišćenje u domaćinstvu i u prostorima sličnim domaćinstvu kao što su:
 - kuhinje u tvrtkama, uredima i u drugim sličnim radnim okruženjima;
 - prostorije koje su na raspolaganju gostima hotela, motela i drugih smeštajnih objekata;
 - aparati koji se koriste u objektima koji nude noćenje sa doručkom;
 - aparati koji se koriste u blagovaonicama i sličnim nekomercijalnim okruženjima.

PAŽNJA: Aparat nije namenjen za profesionalnu uporabu.

14. **PAŽNJA:** Koristite samo čistu, negaziranu vodu bez dodataka koji bi mogli oštetiti uređaj. Nemojte uključivati aparat ako u posudi nema vode i nemojte prepuniti posudu. Nivo vode mora biti između linija MIN i MAX.

15. **PAŽNJA:** Ostavite aparat da odstoji najmanje 1 sat pre no što se rashladna tečnost slegne pre prvog pokretanja, inače se kompresor može oštetiti.
16. Uređaj koristite i čuvajte samo u vodoravnom položaju. **NEMOJTE STAVLJATI NIŠTA NA APARAT.**
17. Nakon transporta ili skladištenja u hladnim uslovima, uređaj treba da se ostavi najmanje 3 sata da mu se temperatura približi sobnoj.
18. Aparat se sme koristiti i čuvati samo na mestima sa temperaturom okoline između 10 i 38°C.
19. Redovito čistite aparat i uvek ga isključite i odspojite pre čišćenja.
20. Ne uranjajte telo aparata u vodu kod čišćenja. Nemojte koristiti agresivna ili abrazivna sredstva, jer to može oštetiti uređaj. **PAŽNJA:** Nemojte koristiti isparljive ili zapaljive supstance - opasnost od eksplozije.
21. **PAŽNJA:** Kako biste ubrzali odmrzavanje uređaja, nemojte koristiti nikakve mehaničke alate koje nije preporučio proizvođač i nemojte sipati vruću vodu u uređaj.
22. Ne dodirujte pokretne delove aparata tokom rada.
23. Nikada nemojte naginjati, pomicati ili pokušavati isprazniti rezervoar za vodu dok je aparat u radu!
24. Budite posebno pažljivi ako se deca nalaze u blizini dok koristite ovaj uređaj.
25. Ovaj uređaj ne smeju da koriste deca. Držite aparat i njegovo napajanje van dohvata dece. Ljudi smanjenih fizičkih ili umnih sposobnosti, kao i sa nedostatkom iskustva, smeju da koriste ovaj aparat samo ako su pod nadzorom ili ako ih je iskusnija osoba uputila u korišćenje na bezbedan način i razumeju sve opasnosti povezane sa tim korišćenjem. Deca se ne smeju igrati ovim uređajem.
26. Uvek isključite uređaj i iskopčajte ga iz struje ako:
 - aparat ne radi ispravno,
 - ako aparat ispušta neobičan miris ili dim,
 - kod sastavljanja uređaja,
 - ako dodate vodu u posudu i postavite je na svoje mesto u aparatu,
 - pre održavanja,

- ako ga više ne koristite.

27. **PAŽNJA:** Ovaj proizvod sadrži rashladni gas R600a, koji je vrlo zapaljiv. Mora se osigurati da nijedan od dijelova kruga hlađenja nije oštećen. Ako dođe do oštećenja, obezbedite da u prostoriji ne dođe do otvorenog plamena ili varničenja i dobro provetrite.



PAŽNJA: OPREZ, OPASNOST OD POŽARA!

Do not immerse in water! – Nemojte potapati u vodu!

OPASNOSTI PO DECU: Deca ne smeju da se igraju ambalažnim materijalom. Nemojte dopustiti deci da se igraju ambalažom od najlonske folije. Postoji opasnost od gušenja.

KORIŠĆENJE LEDOMATA

- Uklonite svu spoljnu i unutarnju ambalažu. Proverite jesu li košara za led i lopatica za led uključeni u pakovanju. Ako neki dio ili pribor nedostaje, obratite se servisnom centru.
- Nemojte naginjati ledomat na više od 45° tokom transporta ili upotrebe.
- Ne okrećite ledomat naopako jer kompresor ili rashladni sistem mogu prestati funkcionirati ispravno.
- Kod prenošenja ili transporta ledomata pričekajte da se tečnosti u kompresoru stabilizuju najmanje 2 sata pre no što uređaj priključite na električnu mrežu. To će smanjiti mogućnost kvara sistema hlađenja zbog nepravilnog rukovanja.
- Nemojte prekrivati niti blokirati ventilacijske otvore aparata.
- Otvorite gornji poklopac, izvadite košaru za led i naspite vodu za piće (po mogućnosti pročišćenu ili destiliranu) u rezervoar.

Pažnja: Nemojte dodavati vodu iznad oznake MAX na zadnjoj strani rezervoaraza vodu.

- Ako se ledomat koristi prvi puta ili nakon dužeg razdoblja nekorisćenja, bacite kockice leda napravljene tokom prva dva ciklusa.
- Za održavanje ispravnog rada, odvođenja toplote, efikasnosti i niske potrošnje energije, potrebno je imati dovoljno prostora za ventilaciju oko ledomata.
- Uključite aparat u utičnicu. Indikator napajanja (**B**) počinje treptati.
- Pritisnite glavni prekidač (**E**) na upravljačkoj ploči za pokretanje ciklusa proizvodnje leda. Indikator napajanja (**B**) će zasvetliti.
- Pritisnite taster **F** za odabir veličine kocke leda. Možete da birate između 2 veličine - male ili velike.
- Ako je temperatura okoline ispod 15 °C, preporučamo da odaberete manju veličinu kako biste sprečili lepljenje leda.
- Redovito proveravajte nivo vode kada je ledomat uključen. Ako pumpa za vodu ne može ubrizgati vodu, ledomat će se automatski zaustaviti i zasvetliti će kontrolna lampica **D**. Pritisnite glavni prekidač (**B**), napunite vodu do oznake nivoa i ponovno pritisnite glavni prekidač. Pre ponovnog pokretanja pričekajte 3 minute da se rashladna tečnost slegne.

- Kada je posuda za led puna, kontrolna lampica **C** će svetliti, i ledomat automatski zaustavlja ciklus proizvodnje leda. Pažljivo izvadite led iz košare za led pomoću lopatice za led. Nakon pražnjenja posude za led i zatvaranja poklopca, automatski se ponovno pokreće funkcija pravljenja leda.

Pažnja: Izravna sunčeva svetlost ili refleksija sunčeve svetlosti mogu uzrokovati kvar infracrvenog senzora. Ako se uređaj ne zaustavi, kockice leda takođ mogu da blokiraju senzor. Odmaknite uređaj od izravnog sunčevog svetla.

- Menjajte vodu u rezervoaru za vodu barem jednom dnevno kako biste obezbedili odgovarajući nivo higijene i čist led.
- Ako ledomat koristite duže vreme, pumpa za vodu možda neće dobivati dovoljno vode zbog mehurića vazduha. U tome slučaju svetli lampica indikatora za dodavanje vode (**D**). U tome slučaju morate ponovno pritisnuti prekidač za napajanje (**E**). Aparat bi trebao početi normalno da radi.
- Ako ne koristite aparat neko vreme, isпустite vodu iz rezervoara i očistite ga.
- Ako kompresor prestane ispravno raditi zbog nedostatka vode, prevelike količine vode ili nestanka struje, trebaće otprilike 3 minute nakon ponovnog pokretanja pre no što počne raditi.
- Uvek koristite svežu vodu pre početka proizvodnje leda, bilo tokom prve instalacije ili nakon dužeg zaustavljanja.

Napomena: Voda i temperatura okoline utiču na kapacitet proizvodnje kockica leda, niža temperatura vode i niža temperatura okoline znače veći kapacitet proizvodnje kocki leda i kraće vreme proizvodnje leda. Buka koju emituje pumpa za vodu tokom proizvodnje leda je normalna.

OTKLANJANJE POTEŠKOĆA

Problem	Mogući uzrok	Preporučeno rešenje
Svetli indikator dodavanja vode (D).	Nedostatak vode.	Zaustavite ledomat, napunite ga vodom i ponovno pokrenite aparat ponovnim pritiskom na glavni prekidač.
	Senzor punjenja rezervoara za led ne radi ispravno.	Obratite se servisnom centru.
Indikator dodavanja vode (D) svetli iako je rezervoar pun. Led se ne proizvodi.	Senzor punjenja rezervoara za led ne radi ispravno.	Obratite se servisnom centru.
Svetli Indikator punjenja rezervoara za led (C).	Košara za led je puna.	Izvadite napravljeni led iz košare.
Indikator pune posude za led (C) svetli, ali u njemu nema leda.	Senzor punjenja rezervoara za led (predajnik i prijemnik) prekriven je prljavštinom u vodi ili drugim supstancama.	Za čišćenje senzora punjenja rezervoara za led koristite meku krpu namočenu u vodu. Nakon čišćenja proverite je li ledomat proradio, ako to ne pomogne, obratite se servisnom centru.
	Senzor punjenja rezervoara za led ne radi ispravno.	Obratite se servisnom centru.

Indikator napunjenosti rezervoara za led (C) svijetli 3 sekunde i gasi se na 3 sekunde.	Lopatica za led je zaglavljena ili okretni mehanizam ne radi ispravno.	Proverite da led ne blokira lopaticu za led, inače pritisnite glavni prekidač da isključite ledomat i nakon toga pritisnite ga ponovno da proverite može li normalno proizvoditi led. Ako indikator punjenja rezervoara za led (C) i dalje treperi, pritisnite glavni prekidač, isključite uređaj i obratite se servisnom centru.
Indikatori na ekranu su isključeni.	Osigurači ili napajanje su isključeni, nema struje.	Zamenite osigurače ili uključite napajanje.
Kocke leda su se zalepile.	Ciklus proizvodnje leda traje predugo.	Zaustavite ledomat i ponovno ga pokrenite čim se nakupine leda otope. Odaberite male kockice leda.
	Temperatura vode u unutarnjem rezervoaru je preniska.	Promenite vodu u rezervoaru. Koristite vodu temperature od 7-32 °C.
	Ostavljanje leda u aparatu dulje vrijeme može uzrokovati da uređaj reciklira led otapanjem i stvaranjem novog leda.	Prebacite pripremljeni led u drugu posudu i spremite u hladnjak ili zamrzivač kako biste sprečili recikliranje.
Kocke leda se tope.	Ostavljanje leda u aparatu dulje vrijeme može uzrokovati da uređaj reciklira led otapanjem i stvaranjem novog leda. Aparat za led nije dizajniran za dugotrajno skladištenje leda. Ako se led ne koristi ili se redovito premešta u hladnjak ili zamrzivač, otapanje leda je normalno.	Nakon dužeg vremena gotovi led premestite u drugu posudu i pohranite u hladnjak ili zamrzivač kako biste sprečili njegovo recikliranje.
Ciklus proizvodnje leda je normalan, ali led se ne proizvodi.	Temperatura okoline ili vode u unutarnjem rezervoaru je previsoka.	Uključujte ledomat na temperaturi nižoj od 32 °C i koristite hladnu vodu.
	Curenje rashladne tečnosti.	Obratite se servisnom centru.
	Cevovodi sistema za hlađenje su začepljeni.	Obratite se servisnom centru.

ČIŠĆENJE I ODRŽAVANJE

- Redovito čistite ledomat, rezervoar za vodu, lopaticu i isparivač.
- Prije održavanja isključite aparat i odspojite ga iz struje.
- Uklonite kocke leda, pomerite aparat na sudoper ili iznad sudopera i uklonite čep za odvod sa prednje donje strane. Ispustite preostalu vodu u sudoper.
- Izvadite košaru za led i operite je u toploj vodi.
- Nemojte koristiti mehanički alat za ubrzavanje odmrzavanja.
- Očistite unutrašnjost razređenim deterdžentom, toplom vodom i mekom krpom.
- Spoljni dio ledomata treba redovito čistiti blagim rastvorom deterdženta i toplom vodom.
- Nemojte prskati hemikalije ili rastvarače, kao što su kiseline, benzin ili ulje po uređaju.
- Pre ponovnog uključivanja, očistite unutrašnjost i temeljito je isperite mekom krpom.
- Vratite natrag čep odvoda.

TEHNIČKI PODACI

Ukupna zapremina	2 l
Nazivni napon i frekvencija	220-240 ~ 50 Hz
Snaga	100-120W
Struja	1.6A
Klasa zaštite od strujnog udara	I
Izolacijska pena	CIKLOPENTAN
Rashladno sredstvo	R600a/23g
Klimatski razred	SN/N/ST/T

UPOTREBA I ODLAGANJE OTPADA

Papirni otpad i kartonsku ambalažu predajte u reciklažna dvorišta. Foliju za pakovanje, kese od polietilena i plastične delove odložite u kontejnere za plastiku.

ODLAGANJE PROIZVODA NAKON ISTEKA RADNOG VEKA

Odlaganje otpada električne i elektronske opreme (primenljivo u državama članicama EU i drugim evropskim zemljama koje su uspostavile sisteme razvrstavanja otpada)

Oznaka koja je navedena na proizvodu ili na ambalaži označava da se proizvod ne sme odlagati kao kućni otpad. Proizvod odložite na mesto određeno za recikliranje električne i elektronske opreme. Ispravnim odlaganjem proizvoda sprečavate negativne uticaje na zdravlje ljudi i okolinu. Reciklažom materijala pomažete očuvanju prirodnih resursa. Dodatne informacije o recikliranju ovog proizvoda pružiće vam lokalne vlasti, organizacija za preradu kućnog otpada ili prodajno mesto na kom ste kupili proizvod.



08/05



Ovaj proizvod je usklađen sa direktivama EU o elektromagnetskoj kompatibilnosti i električnoj bezbednosti te po pitanju teških metala u električnoj i elektroničkoj opremi. Nadalje, udovoljava relevantnoj energetskej efikasnosti i zahtevima za izravan kontakt sa hranom.

Upute za uporabu dostupne su na web stranici www.ecg-electro.eu.

Zadržano je pravo na izmenu teksta i tehničkih parametara.

ΟΔΗΓΙΕΣ ΑΣΦΑΛΕΙΑΣ

Διαβάστε προσεκτικά και φυλάξτε για μελλοντική χρήση!

Προειδοποίηση: Τα μέτρα και οι οδηγίες ασφάλειας που περιέχονται στο παρόν εγχειρίδιο δεν περιλαμβάνουν όλες τις συνθήκες και τις δυνητικές περιστάσεις. Ο χρήστης πρέπει να κατανοήσει ότι η κοινή λογική, η προσοχή και η φροντίδα είναι στοιχεία που δεν μπορούν να ενσωματωθούν σε κανένα προϊόν. Συνεπώς, αυτά τα στοιχεία πρέπει να διασφαλιστούν από τον χρήστη που λειτουργεί και χειρίζεται την εν λόγω συσκευή. Δεν φέρουμε ευθύνη για ενδεχόμενες ζημιές που προκλήθηκαν κατά τη μεταφορά ή λόγω εσφαλμένης χρήσης, διακυμάνσεων τάσης ή τροποποίησης ή μετατροπής οποιουδήποτε μέρους της συσκευής. Η μη τήρηση των οδηγιών ασφάλειας μπορεί να οδηγήσει σε τραυματισμό, υλικές ζημιές, πυρκαγιά ή ηλεκτροπληξία.

Για προστασία έναντι κινδύνου πυρκαγιάς ή ηλεκτροπληξίας, πρέπει να λαμβάνονται βασικές προφυλάξεις κατά τη χρήση των ηλεκτρικών συσκευών, συμπεριλαμβανομένων των ακόλουθων:

1. Βεβαιωθείτε ότι η τάση της παροχής ρεύματος στον χώρο σας αντιστοιχεί στην τάση που αναφέρεται στην ετικέτα της συσκευής, καθώς και ότι η πρίζα είναι γειωμένη σωστά. Η παροχή ρεύματος πρέπει να είναι εγκατεστημένη σύμφωνα με τους ισχύοντες κανονισμούς και τα πρότυπα για ηλεκτρικές εγκαταστάσεις (EN).
2. Μην χρησιμοποιείτε ποτέ τη συσκευή εάν το καλώδιο ρεύματος έχει φθορές, εάν η συσκευή δεν λειτουργεί σωστά ή έχει βλάβες, ή εάν πέσει ή έχει άλλες φθορές. Όλες οι επισκευές ή οι ρυθμίσεις, συμπεριλαμβανομένων των αλλαγών καλωδίων, πρέπει να διεξάγονται σε επαγγελματικό κέντρο επισκευών! Μην αφαιρείτε τα προστατευτικά καλύμματα από τη συσκευή· υπάρχει κίνδυνος ηλεκτροπληξίας!
3. Προφυλάξτε τη συσκευή από απευθείας επαφή με νερό και άλλα υγρά για να αποτρέψετε ενδεχόμενη ηλεκτροπληξία ή πυρκαγιά. Μην βυθίζετε τη συσκευή, το καλώδιο ρεύματος ή το φικ μέσα σε νερό!

4. Για να αποφύγετε την πρόκληση ζημιάς στο καλώδιο, βεβαιωθείτε ότι δεν βρίσκεται κοντά στον συμπίεστή της συσκευής και δεν έρχεται σε επαφή με αυτόν.
5. Μην χρησιμοποιείτε τη συσκευή σε εξωτερικούς χώρους ή σε χώρους με υψηλή υγρασία. Μην εκθέτετε τη συσκευή σε άμεσο ηλιακό φως και μην την τοποθετείτε κοντά σε συσκευές θέρμανσης. Μην αγγίζετε το καλώδιο ρεύματος ή τη συσκευή με υγρά χέρια. Κίνδυνος ηλεκτροπληξίας.
6. Το φιστουκαλώδιο ρεύματος πρέπει να είναι εύκολα προσπελάσιμο. Μην κονταίνετε το καλώδιο και μην χρησιμοποιείτε πολύπριζα ή καλώδια επέκτασης.
7. Η συσκευή πρέπει να είναι συνδεδεμένη μόνη της. Το καλώδιο δεν πρέπει να αγγίζει καυτά μέρη, να ακουμπά σε κοφτερές ακμές ή να κρέμεται από ένα ράφι ή τραπέζι.
8. Μην ενεργοποιείτε/απενεργοποιείτε τη συσκευή συνδέοντας και αποσυνδέοντας το καλώδιο ρεύματος.
9. Εάν η συσκευή εκλύει ασυνήθιστη οσμή ή καπνό, αποσυνδέστε την αμέσως από το ρεύμα και μεταφέρετέ την σε ένα κέντρο επισκευών.
10. Να τοποθετείτε πάντα τη συσκευή σε μια σταθερή και επίπεδη επιφάνεια. Μην τοποθετείτε ποτέ τη συσκευή επάνω σε επιφάνειες οι οποίες θα μπορούσαν να καταστραφούν από το νερό ή την υγρασία (π.χ. ξύλο, μπαμπού, λακαρισμένες επιφάνειες κ.λπ.).
11. Μην τοποθετείτε τίποτα επάνω στη συσκευή και μην την καλύπτετε. Μην αφήνετε τη συσκευή κοντά ή σε επαφή με εύφλεκτες ουσίες. Υπάρχει κίνδυνος πυρκαγιάς. Αφήστε χώρο τουλάχιστον 22 εκ. επάνω από τη συσκευή και 15 εκ. στα πλάγια για σωστή κυκλοφορία του αέρα. Μην χρησιμοποιείτε τη συσκευή μέσα σε ντουλάπια κουζίνας ή άλλα έπιπλα.
12. Η συσκευή είναι σχεδιασμένη για την παραγωγή παγοκύβων (παγάκια). Η χρήση της πρέπει να γίνεται μόνο σύμφωνα με τις οδηγίες του παρόντος εγχειριδίου. Ο κατασκευαστής δεν φέρει ευθύνη για ενδεχόμενες ζημιές που προκλήθηκαν λόγω ακατάλληλης χρήσης της συσκευής.

13. Η συσκευή προορίζεται για χρήση σε οικιακό περιβάλλον και παρόμοιες εγκαταστάσεις, όπως:
- κουζίνες σε καταστήματα, γραφεία και άλλους χώρους εργασίας
 - συσκευές που χρησιμοποιούνται από φιλοξενούμενους σε ξενοδοχεία, μοτέλ και άλλες εγκαταστάσεις διαμονής
 - συσκευές που χρησιμοποιούνται σε πανσιόν
 - συσκευές που χρησιμοποιούνται σε χώρους τροφοδοσίας έτοιμων φαγητών και παρόμοια μη εμπορικά περιβάλλοντα.

ΠΡΟΕΙΔΟΠΟΙΗΣΗ: Η συσκευή δεν προορίζεται για επαγγελματική χρήση.

14. **ΠΡΟΕΙΔΟΠΟΙΗΣΗ:** Να χρησιμοποιείτε μόνο καθαρό, πόσιμο νερό, χωρίς ανθρακικό και πρόσθετα που θα μπορούσαν να προκαλέσουν ζημιά στη συσκευή. Μην ενεργοποιείτε τη συσκευή εάν δεν υπάρχει νερό στο δοχείο και ταυτόχρονα μην γεμίζετε υπερβολικά το δοχείο. Η στάθμη του νερού πρέπει να βρίσκεται μεταξύ των γραμμών MIN (ελάχιστο) και MAX (μέγιστο).
15. **ΠΡΟΕΙΔΟΠΟΙΗΣΗ:** Αφήστε τη συσκευή σε ηρεμία για τουλάχιστον 1 ώρα ώστε να ηρεμήσει το ψυκτικό υγρό πριν από την πρώτη χρήση· διαφορετικά, ο συμπιεστής μπορεί να υποστεί ζημιά.
16. Να χρησιμοποιείτε και να αποθηκεύετε τη συσκευή μόνο σε οριζόντια θέση. ΜΗΝ ΤΗΝ ΑΝΑΠΟΔΟΓΥΡΙΖΕΤΕ.
17. Μετά τη μεταφορά ή την αποθήκευση σε ψυχρές συνθήκες, αφήστε τη συσκευή να εγκλιματιστεί σε θερμοκρασία δωματίου για τουλάχιστον 3 ώρες.
18. Η συσκευή μπορεί να χρησιμοποιηθεί και να αποθηκευτεί μόνο σε χώρους με θερμοκρασία περιβάλλοντος μεταξύ 10-38 °C.
19. Να καθαρίζετε τακτικά τη συσκευή, αφού πρώτα την απενεργοποιήσετε και την αποσυνδέσετε από την πρίζα.
20. Μην βυθίζετε το σώμα της συσκευής σε νερό κατά τον καθαρισμό. Μην χρησιμοποιείτε σκληρά ή αποξεστικά καθαριστικά, καθώς ενδέχεται να προκληθεί βλάβη στη συσκευή. **ΠΡΟΕΙΔΟΠΟΙΗΣΗ:** Μην χρησιμοποιείτε πτητικές ή εύφλεκτες ουσίες – κίνδυνος έκρηξης.

21. **ΠΡΟΕΙΔΟΠΟΙΗΣΗ:** Για να επιταχύνετε την απόψυξη του προϊόντος, μην χρησιμοποιείτε μηχανικά εργαλεία που δεν συνιστώνται από τον κατασκευαστή και μην ρίχνετε ζεστό νερό μέσα στη συσκευή.
22. Μην αγγίζετε τα κινούμενα μέρη της συσκευής κατά τη λειτουργία.
23. Ποτέ μην γέρνετε και μην μετακινείτε τη συσκευή ενόσω λειτουργεί, ούτε να προσπαθήσετε να αδειάσετε τη δεξαμενή νερού!
24. Δώστε ιδιαίτερη προσοχή όταν χρησιμοποιείτε τη συσκευή κοντά σε παιδιά.
25. Η συσκευή δεν πρέπει να χρησιμοποιείται από παιδιά. Φυλάξτε τη συσκευή και την παροχή ρεύματος της συσκευής μακριά από μέρη που μπορούν να φτάσουν παιδιά. Η συσκευή μπορεί να χρησιμοποιείται από άτομα με μειωμένες φυσικές, αισθητηριακές ή νοητικές ικανότητες, ή έλλειψη εμπειρίας και γνώσεων, εάν επιβλέπονται ή έχουν εκπαιδευτεί να χρησιμοποιούν τη συσκευή με ασφάλεια και κατανοούν τους δυνητικούς κινδύνους. Τα παιδιά δεν πρέπει να παίζουν με τη συσκευή.
26. Απενεργοποιήστε και αποσυνδέστε τη συσκευή από το ρεύμα εάν:
- η συσκευή δεν λειτουργεί σωστά,
 - η συσκευή εκλύει ασυνήθιστη οσμή ή καπνό,
 - συναρμολογείτε τη συσκευή.
 - προσθέτετε νερό στη δεξαμενή νερού και την τοποθετείτε στη θέση της μέσα στη συσκευή,
 - πριν από εργασίες συντήρησης,
 - δεν την χρησιμοποιείτε πλέον.
27. **ΠΡΟΕΙΔΟΠΟΙΗΣΗ:** Αυτό το προϊόν περιέχει ψυκτικό αέριο R600a, το οποίο είναι εξαιρετικά εύφλεκτο. Βεβαιωθείτε οπωσδήποτε ότι κανένα από τα εξαρτήματα του κυκλώματος ψύξης δεν έχει υποστεί ζημιά. Σε περίπτωση ζημιάς, λάβετε μέτρα για την αποτροπή πυρκαγιάς και αερίστε επιμελώς τους χώρους στους οποίους βρίσκεται η συσκευή.



ΠΡΟΕΙΔΟΠΟΙΗΣΗ: ΠΡΟΣΕΞΤΕ, ΚΙΝΔΥΝΟΣ ΠΥΡΚΑΓΙΑΣ!

Do not immerse in water! – Μην βυθίζετε σε νερό!

ΚΙΝΔΥΝΟΣ ΓΙΑ ΠΑΙΔΙΑ: Τα παιδιά δεν πρέπει να παίζουν με τα υλικά συσκευασίας. Μην αφήνετε τα παιδιά να παίζουν με πλαστικές σακούλες. Κίνδυνος ασφυξίας.

ΧΡΗΣΗ ΤΗΣ ΠΑΓΟΜΗΧΑΝΗΣ

- Αφαιρέστε όλα εσωτερικά και εξωτερικά υλικά συσκευασίας. Βεβαιωθείτε ότι περιλαμβάνεται το καλάθι πάγου και το φτυαράκι πάγου. Εάν λείπει οποιοδήποτε εξάρτημα ή αξεσουάρ, επικοινωνήστε με ένα κέντρο επισκευών.
- Μην γέρνετε την παγομηχανή περισσότερο από 45° κατά τη μεταφορά ή τη χρήση.
- Μην αναποδογυρίζετε την παγομηχανή· διαφορετικά, ο συμπιεστής ή το σύστημα ψύξης μπορεί να παρουσιάσει δυσλειτουργία.
- Κατά τη μετακίνηση ή τη μεταφορά της παγομηχανής, περιμένετε έως ότου τα υγρά στον συμπιεστή ηρεμήσουν, για τουλάχιστον 2 ώρες, πριν συνδέσετε τη συσκευή στο ρεύμα. Αυτό θα μειώσει την πιθανότητα αστοχίας του συστήματος ψύξης λόγω ακατάλληλου χειρισμού.
- Μην καλύπτετε ή φράσσετε τα ανοίγματα αερισμού στη συσκευή.
- Ανοίξτε το επάνω καπάκι, αφαιρέστε το καλάθι πάγου και ρίξτε πόσιμο νερό (κατά προτίμηση φιλτραρισμένο ή αποσταγμένο) μέσα στη δεξαμενή.

Προειδοποίηση: Μην προσθέτετε νερό πάνω από την ένδειξη MAX στο πίσω μέρος της δεξαμενής νερού.

- Εάν η παγομηχανή χρησιμοποιείται για πρώτη φορά ή μετά από μεγάλο διάστημα μη χρήσης, πετάξτε τα παγάκια που παρήχθησαν κατά τη διάρκεια των δύο πρώτων κύκλων.
- Για να διατηρήσετε τις επιδόσεις λειτουργίας, απαγωγής θερμότητας, αποδοτικότητας και χαμηλής κατανάλωσης ενέργειας, είναι απαραίτητο να υπάρχει επαρκής χώρος γύρω από την παγομηχανή για τον αερισμό της.
- Συνδέστε τη συσκευή στην πρίζα. Η ένδειξη λειτουργίας **(B)** αρχίζει να αναβοσβήνει.
- Πατήστε τον κύριο διακόπτη **(E)** στον πίνακα ελέγχου για να ξεκινήσει ο κύκλος παραγωγής πάγου. Η ένδειξη λειτουργίας **(B)** θα είναι αναμμένη.
- Πατήστε το κουμπί **F** για να επιλέξετε το μέγεθος των παγοκύβων. Μπορείτε να επιλέξετε μεταξύ 2 μεγεθών – μικρό ή μεγάλο.
- Εάν η θερμοκρασία περιβάλλοντος είναι κάτω από 15 °C, συνιστούμε να επιλέξετε μικρότερο μέγεθος για να κολλήσουν οι παγοκύβοι.
- Να ελέγχετε τακτικά τη στάθμη του νερού όταν η παγομηχανή είναι ενεργοποιημένη. Εάν η αντλία νερού δεν μπορεί να ψεκάσει νερό, η παγομηχανή θα σταματήσει αυτόματα και θα ανάψει η ένδειξη **D**. Πατήστε τον κύριο διακόπτη **(B)**, γεμίστε τη δεξαμενή νερού μέχρι την ένδειξη στάθμης νερού και πατήστε ξανά τον κύριο διακόπτη. Περιμένετε 3 λεπτά για να ηρεμήσει το ψυκτικό υγρό πριν ξεκινήσετε ξανά.
- Όταν γεμίσει το καλάθι πάγου, ανάβει η λυχνία **C** και η παγομηχανή διακόπτει αυτόματα τον κύκλο παραγωγής πάγου. Αφαιρέστε προσεκτικά τον πάγο από το καλάθι πάγου χρησιμοποιώντας το φτυαράκι πάγου. Αφού αδειάσετε το καλάθι πάγου και κλείσετε το καπάκι, η λειτουργία δημιουργίας πάγου ξεκινά ξανά αυτόματα.

Προειδοποίηση: Το άμεσο ηλιακό φως ή η αντανάκλαση του ηλιακού φωτός μπορεί να προκαλέσει δυσλειτουργία του αισθητήρα υπερύθρων. Εάν η συσκευή δεν σταματάει, μπορεί επίσης να έχει μπλοκάρει ο αισθητήρας από τους παγοκύβους. Απομακρύνετε τη συσκευή από το άμεσο ηλιακό φως.

- Να αλλάζετε το νερό στη δεξαμενή νερού τουλάχιστον μία φορά την ημέρα, ώστε να διασφαλίζεται επαρκές επίπεδο υγιεινής και καθαρότητας του πάγου.
- Εάν χρησιμοποιείτε την παγομηχανή για μεγάλο χρονικό διάστημα, η αντλία νερού ενδέχεται να μην μεταφέρει αρκετό νερό λόγω φυσαλίδων αέρα. Σε αυτήν την περίπτωση, θα ανάψει η ένδειξη προσθήκης

νερού (D). Εκείνη τη στιγμή, πρέπει να πατήσετε ξανά τον κύριο διακόπτη (E). Η συσκευή θα πρέπει να αρχίσει να λειτουργεί κανονικά.

- Εάν δεν χρησιμοποιήσετε τη συσκευή για λίγο, αδειάστε το νερό από τη δεξαμενή και καθαρίστε τη δεξαμενή.
- Εάν ο συμπιεστής σταματήσει να λειτουργεί σωστά λόγω έλλειψης νερού, υπερβολικής ποσότητας νερού ή διακοπής ρεύματος, θα χρειαστούν περίπου 3 λεπτά μετά την επανεκκίνηση πριν αρχίσει να λειτουργεί.
- Να χρησιμοποιείτε πάντα φρέσκο νερό πριν από την έναρξη της παραγωγής πάγου, είτε κατά την πρώτη εγκατάσταση είτε μετά από μακρόχρονη διακοπή λειτουργίας.

Σημείωση: Το νερό και η θερμοκρασία περιβάλλοντος επηρεάζουν την ικανότητα παραγωγής παγοκύβων- η χαμηλότερη θερμοκρασία νερού και η χαμηλότερη θερμοκρασία περιβάλλοντος σημαίνουν μεγαλύτερη ικανότητα και μικρότερο χρόνο παραγωγής παγοκύβων. Ο θόρυβος που εκπέμπεται από την αντλία νερού κατά την παραγωγή πάγου είναι φυσιολογικός.

ΑΝΤΙΜΕΤΩΠΙΣΗ ΠΡΟΒΛΗΜΑΤΩΝ

Πρόβλημα	Πιθανή αιτία	Αντιμετώπιση προβλημάτων
Ανάβει η ένδειξη προσθήκης νερού (D).	Έλλειψη νερού.	Διακόψτε τη λειτουργία της παγομηχανής, γεμίστε την με νερό και επανεκκινήστε τη συσκευή πατώντας ξανά τον κύριο διακόπτη.
	Ο αισθητήρας πλήρωσης δοχείου πάγου δεν λειτουργεί σωστά.	Επικοινωνήστε με ένα κέντρο επισκευών.
Η ένδειξη προσθήκης νερού (D) είναι αναμμένη, παρ' όλο που η δεξαμενή νερού είναι γεμάτη. Δεν παράγεται πάγος.	Ο αισθητήρας πλήρωσης δοχείου πάγου δεν λειτουργεί σωστά.	Επικοινωνήστε με ένα κέντρο επισκευών.
Ανάβει η ένδειξη πληρότητας δοχείου πάγου C.	Το καλάθι πάγου είναι γεμάτο.	Αφαιρέστε τον πάγο από το καλάθι.
Ανάβει η ένδειξη πληρότητας πάγου (C), αλλά δεν υπάρχει πάγος στο δοχείο.	Ο αισθητήρας πλήρωσης του δοχείου πάγου (πομπός και δέκτης) είναι καλυμμένος με ρύπους που περιέχονται στο νερό ή άλλες ρυπαντικές ουσίες.	Χρησιμοποιήστε ένα μαλακό πανί εμποτισμένο σε νερό για να καθαρίσετε τον αισθητήρα πλήρωσης δοχείου πάγου. Μετά τον καθαρισμό, βεβαιωθείτε ότι η παγομηχανή λειτουργεί ξανά. Εάν αυτό δεν βοηθήσει, επικοινωνήστε με το κέντρο επισκευών.
	Ο αισθητήρας πλήρωσης δοχείου πάγου δεν λειτουργεί σωστά.	Επικοινωνήστε με ένα κέντρο επισκευών.

Η ένδειξη πληρότητας δοχείου πάγου (C) ανάβει για 3 δευτερόλεπτα και σβήνει για 3 δευτερόλεπτα.	Το φτυαράκι πάγου έχει κολλήσει ή ο μηχανισμός περιστροφής δεν λειτουργεί σωστά.	Βεβαιωθείτε ότι ο πάγος δεν μπλοκάρει το φτυαράκι πάγου· αλλιώς, πατήστε τον κύριο διακόπτη για να απενεργοποιήσετε την παγομηχανή, πατήστε τον ξανά και ελέγξτε αν μπορεί να δημιουργήσει πάγο κανονικά. Εάν η ένδειξη πληρότητας δοχείου πάγου (C) συνεχίζει να αναβοσβήνει, πατήστε τον κύριο διακόπτη, απενεργοποιήστε τη συσκευή και επικοινωνήστε με ένα κέντρο επισκευών.
Οι ενδείξεις στην οθόνη είναι σβηστές.	Οι ασφάλειες έχουν πρόβλημα ή διακόπηκε η παροχή ρεύματος (δεν υπάρχει ρεύμα).	Αντικαταστήστε τις ασφάλειες ή ενεργοποιήστε την παροχή ρεύματος.
Οι παγοκύβοι έχουν κολλήσει μεταξύ τους.	Ο κύκλος παραγωγής πάγου είναι υπερβολικά μεγάλος.	Σταματήστε την παγομηχανή και επανεκκινήστε την μόλις λιώσουν οι παγοκύβοι. Επιλέξτε το μικρό μέγεθος παγοκύβων.
	Η θερμοκρασία του νερού στη δεξαμενή είναι πολύ χαμηλή.	Αλλάξτε το νερό στη δεξαμενή. Χρησιμοποιήστε νερό θερμοκρασίας 7-32 °C.
	Εάν αφήσετε πάγο στη συσκευή για μεγάλο χρονικό διάστημα, η συσκευή μπορεί να ανακυκλώσει τον πάγο, λιώνοντάς τον και παράγοντας μια νέα παρτίδα.	Μεταφέρετε τον παρασκευασμένο πάγο σε άλλο δοχείο και αποθηκεύστε τον σε ψυγείο ή καταψύκτη για να αποτρέψετε την ανακύκλωση.
Οι παγοκύβοι λιώνουν.	Εάν αφήσετε πάγο στη συσκευή για μεγάλο χρονικό διάστημα, η συσκευή μπορεί να ανακυκλώσει τον πάγο, λιώνοντάς τον και παράγοντας μια νέα παρτίδα. Η παγομηχανή δεν έχει σχεδιαστεί για μακροχρόνια αποθήκευση πάγου. Εάν ο πάγος δεν χρησιμοποιείται ή δεν μεταφέρεται τακτικά σε ψυγείο ή δοχείο ψύξης, η τήξη του πάγου είναι φυσιολογική.	Μετά από μεγάλο χρονικό διάστημα, μεταφέρετε τον έτοιμο πάγο σε άλλο δοχείο και αποθηκεύστε τον σε ψυγείο ή καταψύκτη για να αποτρέψετε την ανακύκλωση.
Ο κύκλος παραγωγής πάγου είναι φυσιολογικός, αλλά δεν δημιουργείται πάγος.	Η θερμοκρασία του περιβάλλοντος ή του νερού στη δεξαμενή είναι πολύ υψηλή.	Λειτουργήστε την παγομηχανή σε θερμοκρασία κάτω από 32 ° C και χρησιμοποιήστε κρύο νερό.
	Διαρροή ψυκτικού υγρού.	Επικοινωνήστε με ένα κέντρο επισκευών.
	Οι σωληνώσεις του συστήματος ψύξης είναι φραγμένες.	Επικοινωνήστε με ένα κέντρο επισκευών.

ΚΑΘΑΡΙΣΜΟΣ ΚΑΙ ΣΥΝΤΗΡΗΣΗ

- Να καθαρίζετε τακτικά την παγομηχανή, τη δεξαμενή νερού, το φτυαράκι και τον εξαμιστή.
- Απενεργοποιήστε και αποσυνδέστε τη συσκευή από το ρεύμα πριν ξεκινήσετε τη συντήρηση.

- Αφαιρέστε τα παγάκια, μεταφέρετε την παγομηχανή στον νεροχύτη ή πάνω από τον νεροχύτη και αφαιρέστε το πώμα αποστράγγισης από το εμπρός κάτω μέρος. Αδειάστε το νερό που έχει απομείνει στον νεροχύτη.
- Αφαιρέστε το καλάθι πάγου και πλύνετε το σε ζεστό νερό.
- Μην χρησιμοποιείτε μηχανικά εργαλεία για να επιταχύνετε τη διαδικασία απόψυξης.
- Καθαρίστε το εσωτερικό με αραιωμένο απορρυπαντικό, ζεστό νερό και ένα μαλακό πανί.
- Το εξωτερικό της παγομηχανής θα πρέπει να καθαρίζεται τακτικά με διάλυμα ήπιου απορρυπαντικού και ζεστό νερό.
- Μην ψεκάζετε στη συσκευή χημικά ή διαλυτικά, όπως οξέα, βενζίνη ή έλαια.
- Πριν ενεργοποιήσετε ξανά τη συσκευή, καθαρίστε το εσωτερικό και σκουπίστε το καλά με ένα μαλακό πανί.
- Επανατοποθετήστε το πώμα αποστράγγισης.

ΤΕΧΝΙΚΑ ΣΤΟΙΧΕΙΑ

Συνολικός όγκος	2 l
Ονομαστική τάση και συχνότητα	220-240 ~ 50 Hz
Είσοδος ισχύος	100-120 W
Ισχύς	1,6 A
Κατηγορία προστασίας από ηλεκτροπληξία	I
Μονωτικός αφρός	ΚΥΚΛΟΠΕΝΤΑΝΙΟ
Ψυκτικό μέσο	R600a/23g
Κλιματική κλάση	SN/N/ST/T

ΧΡΗΣΗ ΚΑΙ ΑΠΟΡΡΙΨΗ ΑΠΟΒΛΗΤΩΝ

Χαρτί περιτυλίγματος και αυλακωτό χαρτόνι – παραδώστε σε σημείο ανακύκλωσης. Μembrάνη συσκευασίας, σακούλες PE, πλαστικά στοιχεία – πετάξτε σε κάδους ανακύκλωσης πλαστικών.

ΑΠΟΡΡΙΨΗ ΠΡΟΪΟΝΤΩΝ ΣΤΟ ΤΕΛΟΣ ΤΗΣ ΖΩΗΣ ΤΟΥΣ

Απόρριψη ηλεκτρικού και ηλεκτρονικού εξοπλισμού (ισχύει σε χώρες μέλη της ΕΕ και άλλες ευρωπαϊκές χώρες που εφαρμόζουν σύστημα ανακύκλωσης)

Το απεικονιζόμενο σύμβολο στο προϊόν ή στη συσκευασία σημαίνει ότι το προϊόν δεν πρέπει να αντιμετωπίζεται ως σύνθετος οικιακό απόβλητο. Παραδώστε το προϊόν στο προβλεπόμενο σημείο για την ανακύκλωση ηλεκτρικού και ηλεκτρονικού εξοπλισμού. Αποτρέψτε τις αρνητικές επιπτώσεις στην ανθρώπινη υγεία και στο περιβάλλον ανακυκλώνοντας σωστά το προϊόν σας. Η ανακύκλωση συμβάλλει στη διατήρηση των φυσικών πόρων. Για περισσότερες πληροφορίες σχετικά με την ανακύκλωση αυτού του προϊόντος, επικοινωνήστε με τις τοπικές αρχές, τον τοπικό οργανισμό επεξεργασίας απορριμμάτων ή το κατάστημα από το οποίο αγοράσατε το προϊόν.



08/05

Αυτό το προϊόν συμμορφώνεται με τις απαιτήσεις της οδηγίας της ΕΕ σχετικά με την ηλεκτρομαγνητική συμβατότητα και την ηλεκτρική ασφάλεια, καθώς και με το ζήτημα της χρήσης βαρέων μετάλλων σε ηλεκτρικό και ηλεκτρονικό εξοπλισμό. Επιπλέον, καλύπτει τις σχετικές απαιτήσεις για την ενέργεια και την απευθείας επαφή με τρόφιμα.



Το εγχειρίδιο χειρισμού είναι διαθέσιμο στη διεύθυνση www.ecg-electro.eu.

Με την επιφύλαξη αλλαγών στο κείμενο και στις τεχνικές παραμέτρους.

ІНСТРУКЦІЇ З ТЕХНІКИ БЕЗПЕКИ

Уважно прочитайте та зберігайте для подальшого використання!

Попередження: Заходи та інструкції з техніки безпеки, які містяться у цьому керівництві, не включають всі умови та можливі ситуації. Користувач має розуміти, що здоровий глузд, увага та безпека є факторами, які не можуть бути інтегровані у товар. Тому, ці фактори мають бути забезпечені користувачем(ами), які використовують побутовий прилад. Ми не несемо відповідальності за пошкодження, отримані під час транспортування, через невірне використання, стрибки напруги, модифікації або налаштування будь-якої частини побутового приладу. Недотримання інструкцій з техніки безпеки може призвести до травми, пошкодження майна, пожежі або ураження електрострумом.

Для захисту від ризику виникнення пожежі або електричного шоку під час використання електричних побутових приладів необхідно дотримуватися наступних правил безпеки:

1. Переконайтеся, що напруга у розетці відповідає напрузі, яка вказана на етикетці побутового приладу, та що розетка правильно заземлена. Розетка має бути встановлена відповідно до електричних правил та норм у відповідності до EN.
2. Ніколи не використовуйте побутовий прилад, якщо пошкоджено силовий кабель, якщо побутовий прилад не працює вірно або якщо він зламаний, впав або був пошкоджений іншим чином. Всі ремонтні роботи або регулювання, включаючи заміну кабелю, мають виконуватися у професійному сервісному центрі! Не знімайте захисні кришки побутового приладу через ризик отримання електричного шоку!
3. Захищайте побутовий прилад від безпосереднього контакту з водою та іншими рідинами для попередження електричного шоку або пожежі. Не занурюйте побутовий прилад, кабель або виделку у воду!

4. Для попередження пошкодження кабелю переконайтеся, що він не знаходиться поряд або контактує з компресором побутового приладу.
5. Не використовуйте побутовий прилад на вулиці або у приміщенні з високим рівнем вологості. Не залишайте побутовий прилад під прямими сонячними променями або поблизу нагрівальних приладів. Не торкайтеся силового кабелю або побутового прибору вологими руками. Ризик отримання електричного шоку.
6. Має бути забезпечений легкий доступ до виделки силового кабелю. Не закорочуйте кабель та не використовуйте подовжувачі.
7. Побутовий прилад є бути підключений окремо. Кабель не має торкатися гарячих частин, звисати з гострих країв, лежати під килимом або звисати з полиці або столу.
8. Не вмикайте та не вимикайте побутовий прилад за допомогою силового кабелю.
9. Якщо побутовий прилад має незвичайний запах або дим, негайно вимкніть його та зверніться до сервісного центру.
10. Завжди розміщуйте побутовий прилад на тверду та рівну поверхню. Ніколи не розміщуйте прилад на поверхні, яка може бути пошкоджена водою або вологою (наприклад, дерево, бамбук, лакована поверхня, тощо).
11. Не ставте на побутовий прилад предмети та не накривайте його. Не залишайте побутовий прилад поблизу або у контакті з займистими речовинами. Це може призвести до ризику пожежі. Над побутовим приладом залишайте щонайменше 22 см вільного простору та 15 см з боків для циркуляції повітря. Не використовуйте побутовий прилад у кухонних шафах або у інших меблях.
12. Побутовий прилад призначено для приготування льоду. Використовуйте прилад лише у відповідності до інструкцій, вказаних у цьому керівництві. Виробник не несе відповідальності

за пошкодження, викликані невірним використанням цього побутового приладу.

13. Побутовий прилад призначено для побутового використання та інших аналогічних видів використання:
- кухонні кутки у крамницях, офісах та на інших робочих місцях;
 - побутові прилади, які використовуються гостями у готелях, мотелях та інших місцях проживання;
 - побутові прилади, які використовуються у закладах типу «постіль та сніданок»;
 - побутові прилади, що використовуються для приготування їжі або у схожих неринкових умовах.

ПОПЕРЕДЖЕННЯ: Цей побутовий прилад не призначено для комерційного використання.

14. **ПОПЕРЕДЖЕННЯ:** Використовуйте лише чисту питну воду без домішок, які можуть призвести до пошкодження побутового приладу. Не вмикайте побутовий прилад, якщо у контейнері немає води, та не переповнюйте контейнер для води. Рівень води має бути між лініями МІН та МАКС.
15. **ПОПЕРЕДЖЕННЯ:** Перед першим використанням завжди залишайте побутовий прилад відстоюватися протягом щонайменше 1 години; у іншому випадку компресор може бути пошкоджений.
16. Використовуйте та зберігайте побутовий прилад лише у горизонтальному положенні. НЕ ПЕРЕГОРАЙТЕ.
17. Після транспортування або зберігання у холодних умовах побутовий прилад має нагрітися до кімнатної температури впродовж щонайменше 3 годин.
18. Побутовий прилад можна використовувати та зберігати лише у місцях з температурою 10-38°C.
19. Регулярно очищуйте побутовий прилад та завжди вимикайте його та від'єднуйте від розетки перед очищенням.
20. Під час очищення не занурюйте корпус побутового приладу у воду. Не використовуйте агресивні або абразивні засоби для очищення. Вони можуть пошкодити побутовий прилад.

ПОПЕРЕДЖЕННЯ: Не використовуйте летючі або займисті речовини через ризик вибуху.

21. **ПОПЕРЕДЖЕННЯ:** Для пришвидшення розморожування продукту не використовуйте механічні інструменти, які не рекомендовані виробником та не наливайте гарячу воду у прилад.
22. Під час роботи не торкайтеся рухливих частин побутового приладу.
23. Ніколи не нахилийте, переміщуйте та не намагайтеся спустошити резервуар для води, коли побутовий прилад працює!
24. Будьте уважними при використанні побутового приладу поруч з дітьми.
25. Діти не повинні використовувати цей побутовий прилад. Тримайте побутовий прилад та джерело живлення в місці, недосяжному для дітей. Побутовий прилад може використовуватися особами зі зниженими фізичними, чуттєвими або розумовими спроможностями, якщо вони знаходяться під наглядом або після отримання інструкцій щодо безпечного використання побутового приладу та розуміючи потенційні небезпеки. Діти не повинні гратися з побутовим приладом.
26. Завжди вимикайте та від'єднуйте побутовий прилад, якщо:
 - побутовий прилад не працює добре,
 - побутовий прилад має незвичайний запах або дим,
 - ви розбираєте побутовий прилад;
 - ви додаєте воду у резервуар для води та встановлюєте його у побутовий прилад,
 - перед проведенням технічного обслуговування,
 - ви більше не використовуєте його.
27. **ПОПЕРЕДЖЕННЯ:** Вироб містить газоподібний холодоагент R600a, який є сильно займистим. Жодна частина контуру охолодження не має бути пошкоджена. У разі пошкодження попереджуйте виникнення пожежі та ретельно провітрюйте приміщення, у якому знаходиться прилад.



ПОПЕРЕДЖЕННЯ: ПАМ'ЯТАЙТЕ ПРО НЕБЕЗПЕКУ ПОЖЕЖІ!

Do not immerse in water! - Не занурюйте у воду!

НЕБЕЗПЕКА ДЛЯ ДІТЕЙ: Діти не повинні гратися з пакувальним матеріалом. Не дозволяйте дітям гратися з пластиковими коробками. Ризик удушення.

ВИКОРИСТАННЯ ПРИЛАДУ ДЛЯ ПРИГОТУВАННЯ ЛЬОДУ

- Зніміть все зовнішнє та внутрішнє пакування. Переконайтеся у наявності контейнеру та ложки для льоду. У разі відсутності приладдя зверніться до сервісного центру.
- Під час транспортування або використання не нахилийте прилад для приготування льоду більш, ніж на 45°.
- Не перегортайте прилад для приготування льоду догори низом; у іншому випадку компресор або холодильна система можуть невірно працювати.
- Під час переміщення або транспортування приладу для приготування льоду дочекайтеся доки рідина у компресорі осіде протягом щонайменше 2 годин перед тим, як підключити побутовий прилад до розетки. Це зменшить вірогідність відмови системи охолодження через невірне поводження.
- Не накривайте та не блокуйте вентиляційні отвори на побутовому приладі.
- Відкрийте верхню кришку, дістаньте контейнер для льоду та налійте питну воду (переважно очищену або дистильовану) у резервуар.

Попередження: Не додавайте воду понад відмітки МАКС, зазначеної на задній стінці резервуару для води.

- Якщо прилад для приготування льоду використовується вперше або після тривалого періоду невикористання, не використовуйте кубики льоду, отримані під час перших двох циклів.
- Для підтримання ефективної роботи, розсіювання тепла, ефективність та низьке споживання електроенергії, навколо приладу для приготування льоду має бути достатньо вільного простору.
- Підключіть побутовий прилад до розетки. Індикатор живлення (B) почне мерехтіти.
- Натисніть вмикач (E) на панелі управління для запуску циклу приготування льоду. Індикатор живлення (B) почне горіти постійно.
- Натисніть кнопку F для вибору розміру кубиків льоду. Ви можете обирати з 2 розмірів - маленькі або великі.
- Якщо кімнатна температура нижче 15°C, ми рекомендуємо обирати маленький розмір для попередження злипання льоду.
- Під час роботи приладу для приготування льоду регулярно перевіряйте рівень води. Якщо насос для води не може перекачувати воду, прилад для приготування льоду буде вимкнено автоматично, та загориться індикатор D. Натисніть вимикач (B), долийте у резервуар воду до відмітки та знову натисніть вимикач. Перед перезапуском почекайте 3 хвилини, щоб осів холодоагент.
- Коли контейнер для льоду повний, загориться C, а прилад для приготування льоду автоматично зупинить виробничий цикл. Обережно дістаньте лід з контейнеру для льоду за допомогою ложки. Після спустошення контейнеру для льоду закрийте кришку, функція приготування льоду запуститься автоматично.

Попередження: Прямі сонячні промені або відображення сонячних променів може призвести до невірної роботи інфрачервоного датчика. Якщо побутовий прилад не зупиняється,

датчик також може блокувати кубики льоду. Перемістіть побутовий прилад подалі від прямих сонячних променів.

- Міняйте воду у резервуарі для води щонайменше раз на день для гарантії адекватного рівня гігієни та чистоти льоду.
- Якщо ви використовуєте прилад для приготування льоду впродовж тривалого часу насос для води може не транспортувати достатньо води через бульбашки повітря. У цьому випадку почне горіти індикатор додавання води (D). У цей час ви повинні знову натиснути вимикач (E). Побутовий прилад має бути нормально запущений.
- Якщо ви не використовуєте побутовий прилад впродовж деякого часу, злийте воду з резервуару та очистіть резервуар.
- Якщо компресор перестає вірно працювати через нестачу води, зайву воду або відмову живлення, прилад почне працювати приблизно через 3 хвилини після перезапуску.
- Завжди використовуйте свіжу воду пере початком приготування льоду, або перед першим використанням, або після тривалого часу невикористання.

Примітка: Температура води та оточуючого середовища впливає на приготування льоду; чим нижча температура води та нижча температура оточуючого середовища, тим більше кубиків льоду може бути приготовано та тим більш короткий час приготування. Шум від працюючого насосу для води є нормальним.

ПОШУК ТА УСУНЕННЯ НЕСПРАВНОСТЕЙ

Проблема	Можлива причина	Пошук та усунення несправностей
Горить індикатор додавання води (D).	Нестача води.	Зупиніть прилад для приготування льоду, налейте воду та перезапустіть побутовий прилад, знову натиснувши вимикач.
	Датчик повного контейнеру для льоду працює невірно.	Зверніться до сервісного центру.
Горить індикатор додавання води (D), навіть коли контейнер для води повний. Лід не готується.	Датчик повного контейнеру для льоду працює невірно.	Зверніться до сервісного центру.
Горить індикатор повного контейнеру C.	Контейнер для льоду повний.	Дістаньте лід з контейнеру.
Горить індикатор повного контейнеру (C), але у контейнері немає льоду.	Датчик (передатчик або приймач) повного контейнеру для льоду покритий брудом, який міститься у воді, або іншими забруднювачами.	За допомогою м'якої серветки, змоченої у воді, очистіть датчик повного контейнеру для льоду. Після очищення знову перевірте роботу приладу для приготування льоду, якщо це не допомогло, зверніться до сервісного центру.
	Датчик повного контейнеру для льоду працює невірно.	Зверніться до сервісного центру.

Індикатор повного контейнеру для льоду (C) починає горіти впродовж 3 секунд, а потім вимикається на 3 секунди.	Застрягла ложка для льоду або механізм для перегортання не працює вірно.	Перевірте, щоб лід не блокував ложку для льоду, у іншому випадку вимкніть прилад для приготування льоду та знову ввімкніть та подивитися, якщо приготування льоду нормальне. Якщо індикатор повного контейнеру для льоду (C) продовжує мерехтіти, вимкніть побутовий прилад та зверніться до сервісного центру.
Індикатори на дисплеї вимкнені.	Запобіжники або джерело живлення вимкнуто, немає струму.	Замініть запобіжники або включіть побутовий прилад.
Кубики льоду злипаються.	Цикл приготування льоду занадто довгий.	Зупиніть прилад для приготування льоду та перезапустіть після того, як кубики льоду розтануть. Оберіть менший розмір кубиків льоду.
	Занадто низька температура води у резервуарі.	Замініть воду у резервуарі. Вода повинна мати температуру 7-32°C.
	Якщо лід залишається на тривалий час у побутовому приладі, це може призвести до рециркуляції льоду у побутовому приладі після розтавання та приготування нової партії.	Перемістіть приготований лід у інший контейнер та зберігайте у холодильнику або морозильній камері для попередження рециркуляції.
Кубики льоду розтанули.	Якщо лід залишається на тривалий час у побутовому приладі, це може призвести до рециркуляції льоду у побутовому приладі після розтавання та приготування нової партії. Прилад для приготування льоду не призначено для тривалого зберігання льоду. Якщо лід не використовується або регулярно не переміщується до холодильної або морозильної камери, розтавання льоду є нормальним процесом.	Після тривалого часу перемістіть приготований лід у інший контейнер та зберігайте у холодильнику або морозильній камері для попередження рециркуляції.
Цикл приготування льоду є нормальним, але лід не готується.	Занадто висока температура води у резервуарі.	Прилад для приготування льоду має працювати за температури нижче 32°C та з використанням холодної води.
	Холодоагент витікає.	Зверніться до сервісного центру.
	Засмічені труби холодної системи.	Зверніться до сервісного центру.

ОЧИЩЕННЯ ТА ОБСЛУГОВУВАННЯ

- Регулярно очищуйте прилад для приготування льоду, ложку та випарювач.
- Перед обслуговуванням побутового приладу вимкніть його та від'єднайте від розетки.
- Дістаньте кубики льоду, помістіть прилад для приготування льоду до раковини або над раковиною та відкрийте зливну кришку, розташовану спереду знизу. Злийте воду, що залишилася, у раковину.
- Зніміть контейнер для льоду та промийте його чистою водою.

- Для пришвидшення процесу розморожування не використовуйте механічні інструменти.
- Для очищення внутрішніх поверхонь використовуйте розчинений миючий засіб, теплу воду та м'яку серветку.
- Зовнішні поверхні приладу для приготування льоду необхідно регулярно очищувати за допомогою м'якого миючого розчину та теплої води.
- Не розпилюйте хімікати або розчинники, як наприклад, кислоти, пальне або олія, на прилад.
- Перед повторним вмиканням очистіть внутрішні поверхні та ретельно протріть м'якою серветкою.
- Встановіть на місце пробку зливного отвору.

ТЕХНІЧНІ ДАНІ

Загальний об'єм	2 л
Номінальна потужність та частота	220-240 ~ 50 Гц
Потужність на вході	100-120 Вт
Потужність	1,6 А
Клас захисту від електричного шоку	I
Ізоляційна піна	ЦИКЛОПЕНТАН
Холодоагент	R600a/23g
Кліматичний клас	SN/N/ST/T

ВИКОРИСТАННЯ ТА УТИЛІЗАЦІЯ ВІДХОДІВ

Пакувальний папір та гофрований картон - до смітника. Пакувальна фольга, ПЕ коробки, пластикові елементи - до контейнерів для переробки пластику.

УТИЛІЗАЦІЯ ПРОДУКТІВ ПІСЛЯ ЗАВЕРШЕННЯ СТРОКУ ЕКСПЛУАТАЦІЇ

Утилізуйте електричне та електронне обладнання (діє у країнах-членах ЄС та інших європейських країнах з впровадженою системою переробки)

Представлений символ на продукті або упаковці означає, що продукт не повинен викидатися до побутового сміття. Продукт необхідно віднести до спеціального місця для переробки електричного та електронного обладнання. Вірна переробка продукту попереджує негативний вплив на здоров'я людей та екологію. Переробка вносить свій вклад до збереження природних ресурсів. Для отримання більш детальної інформації про переробку цього продукту зверніться до місцевих органів, організацій з переробки побутових відходів або до магазину, де ви придбали продукт.



08/05

Цей продукт відповідає директивам ЄС щодо електромагнітної сумісності та електробезпеки, використання важких металів у електричному та електронному обладнанні. Більш того, продукт відповідає вимогам до електроспоживання та вимогам для безпосереднього контракту з продуктами харчування.



Керівництво користувача доступне на вебсайті www.ecg-electro.eu.

Текст та технічні параметри можуть бути змінені.

www.ecg-electro.eu

Deutsch

K+B Progres, a.s./AG.
Barbaraweg 2, DE-93413 Cham
Bei Beschwerden rufen Sie die Telefonnummer
09971/4000-6080 an. (Mo – Fr 9:00 – 16:00)

Čeština

K+B Progres, a.s.
U Expertu 91
250 69 Klíčany
tel.: +420 272 122 111
e-mail: ECG@kbexpert.cz

Hrvatski

K+B Progres, a.s.
U Expertu 91
250 69 Klíčany, Czech Rep.
tel.: +420 272 122 111
e-mail: informacije@kbprogres.cz

Bosanski

K+B Progres, a.s.
U Expertu 91
250 69 Klíčany, Czech Rep.
tel.: +420 272 122 111
e-mail: informacije@kbprogres.cz

Magyar

K+B Progres, a.s.
U Expertu 91
250 69 Klíčany, Czech Rep.
tel.: +420 272 122 111
e-mail: ECG@kbexpert.cz

Polski

K+B Progres, a.s.
U Expertu 91
250 69 Klíčany, Czech Rep.
tel.: +420 272 122 111
e-mail: ECG@kbexpert.cz

Română

K+B Progres, a.s.
U Expertu 91
250 69 Klíčany, Czech Rep.
tel.: +420 272 122 111
e-mail: ECG@kbexpert.cz

Slovenčina

Distribútor pre SR: K+B Progres, a. s., organizačná zložka
Mlynské Nivy 71
821 05 Bratislava
e-mail: ECG@kbexpert.cz

Slovenščina

K+B Progres, a.s.
U Expertu 91
250 69 Klíčany, Czech Rep.
tel.: +420 272 122 111
e-mail: informacije@kbprogres.cz

Srpski

K+B Progres, a.s.
U Expertu 91
250 69 Klíčany, Czech Rep.
tel.: +420 272 122 111
e-pošta: informacije@kbprogres.cz

Crnogorski

K+B Progres, a.s.
U Expertu 91
250 69 Klíčany, Czech Rep.
tel.: +420 272 122 111
e-pošta: informacije@kbprogres.cz

Ελληνικά

K+B Progres, a.s.
U Expertu 91
250 69 Klíčany, Δημοκρατία της Τσεχίας
τηλ.: +420 272 122 111
e-mail: ECG@kbexpert.cz

Українська мова

K+B Progres, a.s.
U Expertu 91
250 69 Klíčany, Czech Rep.
tel.: +420 272 122 111
e-mail: ECG@kbexpert.cz

■ The manufacturer takes no responsibility for printing errors contained in the product's user's manual. ■ Der Importeur haftet nicht für Druckfehler in der Bedienungsanleitung des Produkts. ■ Výrobce neručí za tiskové chyby obsažené v návodu k použití výrobku. ■ Proizvođač ne snosi odgovornost za tiskarske greške u uputama. ■ A gyártó nem felel a termék használati útmutatójában fellelhető nyomdahiibákért. ■ Producent nie ponosi odpowiedzialności za błędy drukarskie w instrukcji obsługi produktu. ■ Producătorul nu își asumă nicio responsabilitate pentru erorile de imprimare conținute în manualul utilizatorului produsului. ■ Dovožca neručí za tlačové chyby obsiahnuté v návode na použitie výrobku. ■ Proizvajalec ne jamči za morebitne tiskovne napake v navodilih za uporabo izdelka. ■ Proizvođač ne preuzima nikakvu odgovornost za štamparske greške sadržane u uputstvu za upotrebu proizvoda. ■ Ο κατασκευαστής δεν φέρει καμία ευθύνη για τα τυπογραφικά σφάλματα που περιέχονται στο εγχειρίδιο χρήστη του προϊόντος. ■ Виробник не несе відповідальності за помилки друку, що містяться в посібнику користувача продукту.